

SUBMITTAL: COSMOPOLITAN™ STAINLESS STEEL FIRE EXTINGUISHER CABINETS TRIMLESS

The Cosmopolitan Series in Stainless Steel is a Modern, Clean Look, Fully Recessed Steel Cabinet that Stands up to Conditions in Commercial Buildings. Designed to be Installed Over Drywall, or Under Plaster for a Flush Finished Surface.

Door Construction: #4 finish stainless steel. Flush cabinet doors are attached by a continuous hinge and equipped with zinc-plated handle and roller catch.

Concealed Flange Style: Drywall bead for installation over drywall (WB style) or plaster flange with stop (PW style) with 3/4" plaster flange.

Tub: The tub is constructed of cold rolled steel with silver powder-coat finish standard. Tub includes a 1-1/4" wide flange to cover the wall opening, and is designed to be concealed by drywall, plaster or stucco.

Fire-Rated Option Available: Yes - See separate Submittal Form. (Note FX version is designed to be installed between layers of drywall)



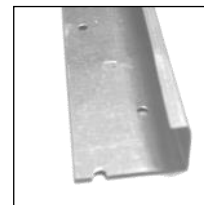
STEP 1: SELECT MODEL NUMBER AND QUANTITY ON CHART (refer to chart on pg 2)

A. Determine Trim Style for Either Wallboard or Plaster Walls.. B. Determine Tub I.D. according to size most suited for extinguisher and wall opening.

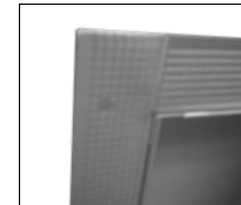
STEP 2: SELECT DOOR STYLE WITH HANDLE

Check one box below Examples on Page 2

- | | |
|---|---|
| <input type="checkbox"/> F Full Glazing in 1-1/4" wide Frame | <input type="checkbox"/> L22 Solid with SAF-T-LOK |
| <input type="checkbox"/> G Full Glazing with SAF-T-LOK™ in 1-1/4" Frame | <input type="checkbox"/> L24 Sold with Cylinder Lock - No Handle |
| <input type="checkbox"/> D Horizontal Duo Panel | <input type="checkbox"/> V Vertical Duo |
| <input type="checkbox"/> E Horizontal Duo Panel with SAF-T-LOK | <input type="checkbox"/> W Vertical Duo with SAF-T-LOK |
| <input type="checkbox"/> S21 Solid Door | <input type="checkbox"/> B Solid with 2" x 4" View Window & SAF-T-LOK |



Plaster Flange



Drywall Bead Flange



STEP 3: SELECT DOOR GLAZING


(Check one box below)

- | | | |
|---|--|--|
| <input type="checkbox"/> 10 Clear Acrylic | <input type="checkbox"/> 15 Bronze Acrylic | <input type="checkbox"/> 17 Clear Tempered Glass |
| <input type="checkbox"/> 13 Wire Glass with Safety Film | <input type="checkbox"/> 16 Gray Acrylic | <input type="checkbox"/> 18 Laminated Safety Glass |

STEP 4: OPTIONAL FEATURES AT ADDED COST (SELECT ANY)

- | | | | |
|---|--|--|---|
| <input type="checkbox"/> Futura "Fire" Pull ___ Mill Alum ___ Red ___ White | <input type="checkbox"/> Black Vertical FE Letters LDCVBFE | <input type="checkbox"/> Black Vertical Decal LDVBFE | <input type="checkbox"/> (CA) Commander Alarm |
| <input type="checkbox"/> Flush Recessed Pull Handle (PRH) | <input type="checkbox"/> Red Vertical FE Letters LDCVRFE | <input type="checkbox"/> Red Vertical Decal LDVRFE | <input type="checkbox"/> (BA) Brigadier Alarm |
| <input type="checkbox"/> Polished Chrome Handle (PUCH) | <input type="checkbox"/> White Vertical FE Letters LDCVWFE | <input type="checkbox"/> White Vertical Decal LDVWFE | <input type="checkbox"/> Etched or Engraved Lettering in Glass or Metal -. Attach Separate Submittal with Details |
| <input type="checkbox"/> Other Stainless Finish: ___#6 ___#7 ___#8 | <input type="checkbox"/> Black Horizontal FE Letters LDCHBFE | <input type="checkbox"/> Black Horizontal Decal LDHBFE | <input type="checkbox"/> Optional Lock for G, E, W, L22, B: _____ |
| Stainless finishes can be viewed online | <input type="checkbox"/> Red Horizontal FE Letters LDCHRFE | <input type="checkbox"/> Red Horizontal Decal LDHRFE | |
| | <input type="checkbox"/> White Horizontal FE Letters LDCHWFE | <input type="checkbox"/> White Horizontal Decal LDHWFE | |

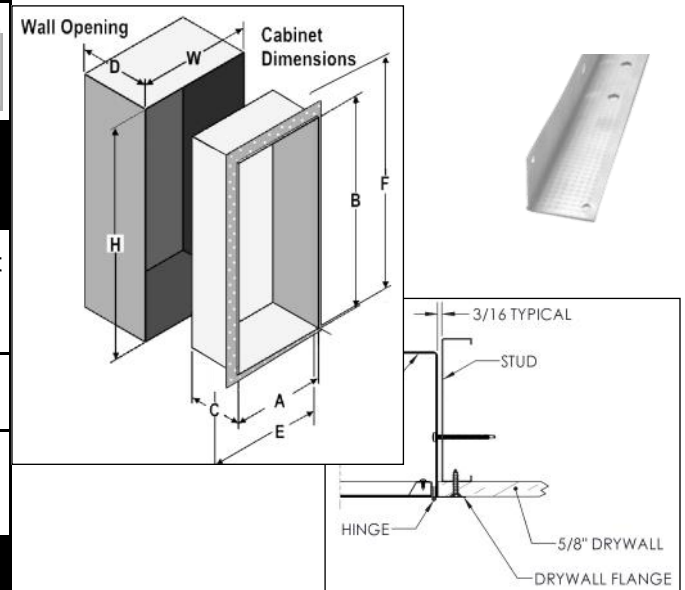
For More Information on Options See Website

 <p>COSMOPOLITAN™ IS A TRADEMARK OF ACPG DOWNLOAD CURRENT SUBMITTAL BEFORE ORDERING</p>	Distributor:	Quantity:
	Contractor:	Approved By:
	Model #:	Architect:
	Project:	Date:

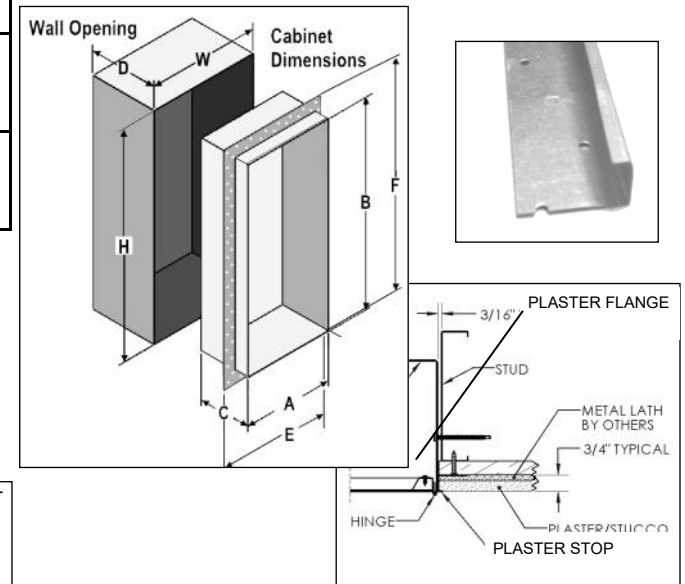
HEADQUARTERS: 9702 NEWTON AV S, BLOOMINGTON, MN 55431 PH: 800-554-6077 EMAIL: SALES@ACTIVARCPG.COM WWW.ACTIVARCPG.COM
 MANUFACTURING: BLOOMINGTON MN & COMMERCE, CA • WAREHOUSES: FT MYERS FL, ATLANTA GA, DALLAS TX, SEATTLE WA, LANCASTER PA, FARGO ND, OMAHA NE 6/3/2020

SUBMITTAL: COSMOPOLITAN™ STAINLESS STEEL FIRE EXTINGUISHER CABINETS TRIMLESS

TRIM & DOOR SERIES #			Tub I.D.			Frame O.D.		Wall Opening			Fits Extinguishers Listed below Link to More Information
QTY	Model	Trim Style	A Width	B Height	C Depth	E Width	F Height	W Width	H Height	D Depth	
TRIMLESS CABINET WITH WALLBOARD BEAD TRIM FOR INSTALLATION OVER DRYWALL Example of Part # 8134WBF10											
	8134WB	Trimless Drywall	9	18	5 1/2	11 1/2	20 1/2	10	19	5 5/8	Cosmic & Galaxy 2 1/2-6 (6lb must be mounted on cabinet tub), Mercury 2 1/2- 5
	1034WB	Trimless Drywall	10 1/2	24	6	13	26 1/2	11 1/2	25	6 1/8	Cosmic & Galaxy 2 1/2-10 Mercury 2 1/2-5 , Sentinel 5
	2034WB	Trimless Drywall	12	27	7 3/4	14 1/2	29 1/2	13	28	7 7/8	Any Cosmic**,Galaxy**, Mercury, Saturn or Grenadier P, Sentinel 5 & 10
TRIMLESS CABINET WITH RECESSED FLANGE FOR INSTALLATION OF 3/4" PLASTER OVER TRIM Example of Part # 8134PWF10											
	8134PW	Trimless Plaster	9	18	5 1/2	11 1/2	20 1/2	10	19	5 5/8	Cosmic & Galaxy 2 1/2-6 (6lb must be mounted on cabinet tub), Mercury 2 1/2- 5
	1034PW	Trimless Plaster	10 1/2	24	6	13	26 1/2	11 1/2	25	6 1/8	Cosmic & Galaxy 2 1/2-10 Mercury 2 1/2-5 , Sentinel 5
	2034PW	Trimless Plaster	12	27	7 3/4	14 1/2	29 1/2	13	28	7 7/8	Any Cosmic**,Galaxy**, Mercury, Saturn or Grenadier P, Sentinel 5 & 10

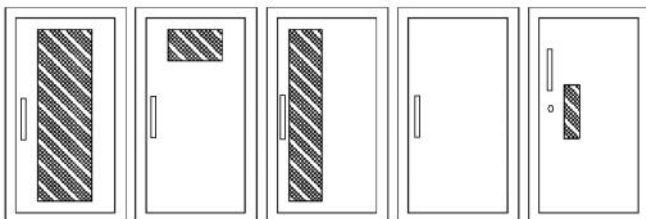


TRIMLESS FLANGE FOR 5/8" DRYWALL



TRIMLESS RECESSED FLANGE FOR 3/4" PLASTER

** Cosmic 20 and Galaxy 20 Extinguisher must be mounted on the back of the cabinet tub
 • Cabinets meet 4" ADA projection requirements.



- F - Full glass with pull handle
- G - Full glass with pull handle and Saf-T-Lok (Not Shown)
- D - Horizontal duo panel with pull handle
- E - Horizontal duo panel with pull handle and Saf-T-Lok. (Not Shown)
- V - Vertical duo panel with pull handle
- W - Vertical duo panel with pull handle and Saf-T-Lok. (Not Shown)
- S21 - Solid with pull handle
- L22 - Solid with pull handle and Saf-T-Lok
- L24 - Solid with cylinder key lock and no handle
- B - Solid with pull handle, view window and Saf-T-Lok

ADA Cabinet Mounting Height: Standard Pull on G, E, W, L22 and B Door Styles with Saf-T-Lok are 3 5/8" Higher than Door Center, so Allow for that When Mounting Cabinet.

Standard Pull with No Lock or Flush Pull are Centered on Door.