

# SUBMITTAL: CAVALIER™ FIRE EXTINGUISHER CABINET

Select the Beauty and Upscale Finish of Bronze or Brass to add that “High End” Look to Your Next Project.

**Door and Trim Construction:** Cabinets are available in US 10 satin bronze or US 3 polished brass. Flush cabinet doors with a 5/8" door stop are attached by a continuous hinge and equipped with zinc-plated handle that is painted to match the finish, and roller catch. All models have 1-3/4" wide trim on frame and 1-1/4" trim on doors with glazing. Can also be ordered with our theft-deterrent Saf-t-Lok™ which features a cylinder lock with a plastic cam allowing the door to be opened with a sharp tug.

**Trim Style and Depth:** Recessed - 3/8" flat trim. Semi-Recessed - 1 1/4", 1 1/2" Square Edge or 3" Rolled Edge. Surface-mount has a square edge.

**Tub:** Constructed of cold rolled steel with white powder-coat finish standard. Surface mount cabinets are the same finish as the trim.

**Fire-Rated Option Available:** Yes - [See Separate Submittal](#)

**STEP 1: SELECT MODEL NUMBER AND QUANTITY ON CHART** (refer to chart on page 2)

- A. Determine Trim Style according to wall depth.
- B. Determine Tub I.D. according to size most suited for extinguisher and wall opening.

**STEP 2: Select Door Style Below:** (See page 2)

**Door Styles (with handle)**

- |                            |                                   |                              |                                      |                            |                           |
|----------------------------|-----------------------------------|------------------------------|--------------------------------------|----------------------------|---------------------------|
| <input type="checkbox"/> F | Full Glazing                      | <input type="checkbox"/> S21 | Solid                                | <input type="checkbox"/> V | Vertical Duo6             |
| <input type="checkbox"/> G | Full Glazing & Saf-t-Lok™         | <input type="checkbox"/> L22 | Solid & Saf-T-Lok™                   | <input type="checkbox"/> W | Vertical Duo & Saf-T-Lok™ |
| <input type="checkbox"/> D | Horizontal Duo Panel              | <input type="checkbox"/> L24 | Solid with Cylinder Lock & No Handle |                            |                           |
| <input type="checkbox"/> E | Horizontal Duo Panel & Saf-T-Lok™ | <input type="checkbox"/> B10 | Solid with 2"x4" Glass & Saf-T-Lok™  |                            |                           |



1855V10



1847S21


**STEP 3: Select Door Glazing Below**

- |                             |                                |                             |                |                             |                        |
|-----------------------------|--------------------------------|-----------------------------|----------------|-----------------------------|------------------------|
| <input type="checkbox"/> 10 | Clear Acrylic                  | <input type="checkbox"/> 15 | Bronze Acrylic | <input type="checkbox"/> 17 | Clear Tempered Glass   |
| <input type="checkbox"/> 13 | Clear Wire Glass w/Safety Film | <input type="checkbox"/> 16 | Gray Acrylic   | <input type="checkbox"/> 18 | Laminated Safety Glass |

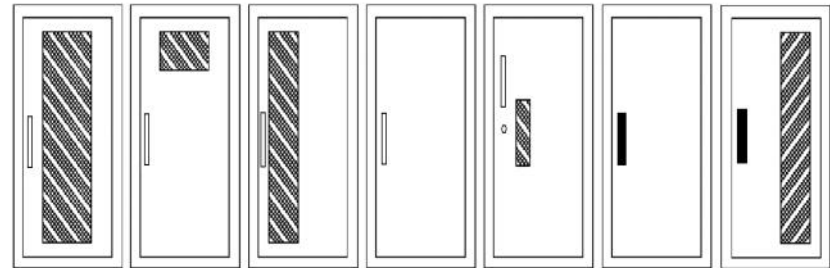
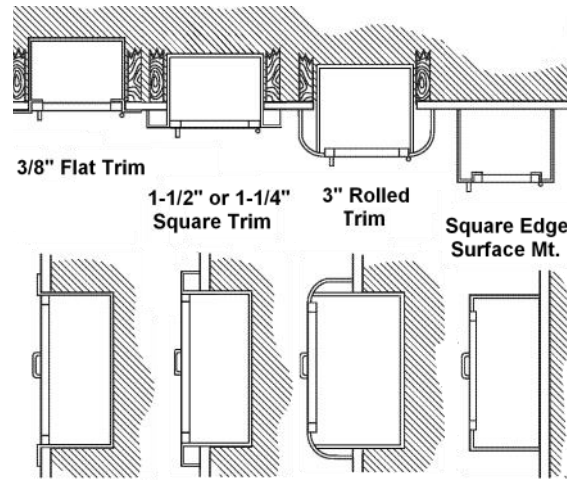
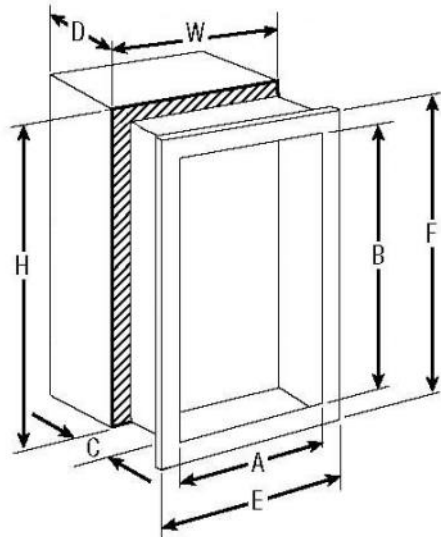
[BIM Objects for REVIT® Platform](#)

**Options at Additional Cost (Select Any)**

- |  |  |   |
|--|--|---|
| <input type="checkbox"/> Futura Embossed “Fire” Handle in Mill, White or Red           | <input type="checkbox"/> Bronze Door & Trim: US9 Bright Polished | <input type="checkbox"/> FE Diecut Letters - Black Vertical   |
| <input type="checkbox"/> Flush Pull  | <input type="checkbox"/> Brass Door & Trim: US4 Satin            | <input type="checkbox"/> FE Diecut Letters– Red Vertical      |
| <input type="checkbox"/> <a href="#">Panorama-Style Full Acrylic Door</a> Style: _____ | <input type="checkbox"/> Bronze Door & Trim: US10B Oil-Rubbed    | <input type="checkbox"/> FE Diecut Letters - White Vertical   |
| <input type="checkbox"/> Optional Color Tub  |  | <input type="checkbox"/> FE Diecut Letters - Black Horizontal |
| <input type="checkbox"/> Etched Lettering in Glass                                     | <a href="#">View Metal Finishes Here</a>                         | <input type="checkbox"/> FE Diecut Letters - Red Horizontal   |
- [View Alarms](#)
- (CA) Commander Alarm
  - (BA) Brigadier Alarm
  - (SA) Strobe Alarm (surface mt)

 <p><b>ACTIVAR INC.</b> CONSTRUCTION PRODUCTS GROUP</p> <p>CAVALIER™ IS A TRADEMARK OF ACPG DOWNLOAD CURRENT SUBMITTAL BEFORE ORDERING</p> <p><b>JL INDUSTRIES</b></p>	Distributor:	Quantity:
	Contractor:	Approved By:
	Model #:	Architect:
	Project:	Date:
© 2019 Activar Construction Products Inc		
HEADQUARTERS: 9702 NEWTON AV S, BLOOMINGTON, MN 55431 PH: 800-554-6077 FAX: 952-835-2218 EMAIL: SALES@ACTIVARCPG.COM WWW.ACTIVARCPG.COM MANUFACTURING: BLOOMINGTON MN & COMMERCE, CA • WAREHOUSES: FT MYERS FL, ATLANTA GA, DALLAS TX, SEATTLE WA, LANCASTER PA, FARGO ND, OMAHA NE 1/29/2019		

# SUBMITTAL: CAVALIER FIRE EXTINGUISHER CABINET



- F - Full glass with pull handle
- G - Full glass with pull handle and Saf-T-Lok
- D - Horizontal duo panel with pull handle
- E - Horizontal duo panel with pull handle and Saf-T-Lok
- V - Vertical duo panel with pull handle
- W - Vertical duo panel with pull handle and Saf-T-Lok
- S21 - Solid with pull handle
- L22 - Solid with pull handle and Saf-T-Lok
- L24 - Solid with cylinder key lock & no handle
- B - Solid with pull handle view window and Saf-T-Lok
- Example of door with ADAC recessed handle
- Optional: Vertical duo with ADAC recessed handle

Trim and Door Material and Series #						Tub I.D.			Frame O.D.		Wall Opening: Non Rated			Accommodates Following Extinguishers	
QTY	US10 Satin Bronze	QTY	US10B Oil rubbed	QTY	US3 Polished Brass	Trim Style	A	B	C	E	F	W	H	D	
	1845		1885		1855	Flat Trim ●	10 1/2	24	5 1/2	13 7/8	27 3/8	11 1/2	25	5 3/8	Cosmic & Galaxy 2 1/2-6 (6lb must be mounted on tub) Mercury 2 1/2, 5
	1846		1886		1856	1 1/2" Square ●	10 1/2	24	5 1/2	13 7/8	27 3/8	11 1/2	25	4 1/8	
	1847		1887		1857	3" Rolled ●	10 1/2	24	5 1/2	13 7/8	27 3/8	11 1/2	25	2 5/8	
	1045		1085		1055	Flat Trim ●	10 1/2	24	6	13 7/8	27 3/8	11 1/2	25	5 7/8	Cosmic & Galaxy 2 1/2-10 Sentinel 5, Mercury 2 1/2, 5
	1046		1086		1056	1 1/2" Square ●	10 1/2	24	6	13 7/8	27 3/8	11 1/2	25	4 5/8	
	1047		1087		1057	3" Rolled ●	10 1/2	24	6	13 7/8	27 3/8	11 1/2	25	3 1/8	
	1043		1083		1053	Surf. Mt Square	13 11/16	27 3/16	6 1/2	13 7/8	27 3/8	--	--	--	
	2045		2085		2055	Flat Trim ●	12	27	7 3/4	15 3/8	30 3/8	13	28	7 5/8	Any Cosmic or Galaxy (20 lb must be mounted on tub), Mercury, Saturn or Grenadier P, Sentinel 5, 10
	2046		2086		2056	1 1/4" Square ●	12	27	7 3/4	15 3/8	30 3/8	13	28	6 5/8	
	2043		2083		2053	Surf. Mt Square	15 3/16	30 3/16	8 1/4	15 3/8	30 3/8	--	--	--	



2086V10  
US10B Oil-Rubbed  
Finish with  
White Vertical Decal  
Letters

● Models in Blue Meet 4" Maximum ADA Projection Requirement