

# SUBMITTAL: CAVALIER FX2™ BRONZE AND BRASS FIRE-RATED EXTINGUISHER CABINET

Select the Beauty and Upscale Finish of Bronze or Brass to add a Luxurious Look to Your Next Project.

**Door and Trim Construction:** Cabinets are available in US 10 satin bronze or US 3 polished brass. Flush cabinet doors with a 5/8" door stop are attached by a continuous hinge and equipped with zinc-plated handle that is painted to match the finish, and roller catch. All models have 1-3/4" wide trim on frame and 1-1/4" trim on doors with glazing. Can also be ordered with our theft-deterrent Saf-t-Lok™ which features a cylinder lock with a plastic cam allowing the door to be opened with a sharp tug.

**Trim Style and Depth:** Recessed - 3/8" flat trim. Semi-Recessed - 1 1/4", 1 1/2" Square Edge or 3" Rolled Edge. Surface-mount has a square edge.

**Tub:** The tub is constructed of cold rolled steel with white powder-coat finish standard. Fire-resistant material is attached to the exterior of the tub. **Please note that dimensions for wall opening have changed in 2015. See Chart on pg 2.**

**Fire-Rating:** Fire-FX2™ cabinets are fabricated in accordance with the UL label for one and two hour combustibile and non-combustibile wall system building codes. The fire testing has met the requirement of ANSI/UL 1479 (ASTM –E814) and ULC/CAN S115-for membrane and penetration firestops. Installation instructions must be strictly adhered to in order to obtain the fire rating.



1855S21FX2



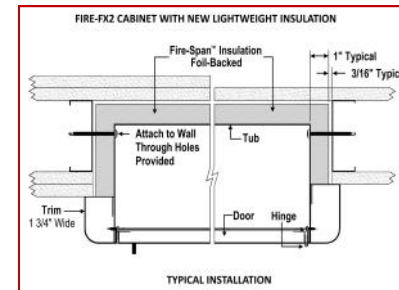
1847S21FX2

**STEP 1: SELECT MODEL NUMBER AND QUANTITY ON CHART** (refer to chart on page 2)

A. Determine Trim Style according to wall depth. B. Determine Tub I.D. according to size most suited for extinguisher and wall opening.

**STEP 2: Select Door Style with Pull Below:** (See page 2 to view styles)

<input type="checkbox"/> F	Full Glazing	<input type="checkbox"/> S21	Solid	<input type="checkbox"/> V	Vertical Duo
<input type="checkbox"/> G	Full Glazing & Saf-t-Lok™	<input type="checkbox"/> L22	Solid & Saf-T-Lok™	<input type="checkbox"/> W	Vertical Duo & Saf-T-Lok™
<input type="checkbox"/> D	Horizontal Duo Panel	<input type="checkbox"/> L24	Solid with Cylinder Lock & No Handle		
<input type="checkbox"/> E	Horizontal Duo Panel & Saf-T-Lok™	<input type="checkbox"/> B10	Solid with Glass Insert & Saf-T-Lok™		



**STEP 3: Select Door Glazing Below**

<input type="checkbox"/> 10	Clear Acrylic	<input type="checkbox"/> 15	Bronze Acrylic	<input type="checkbox"/> 17	Clear Tempered Glass
<input type="checkbox"/> 13	Clear Wire Glass w/Safety Film	<input type="checkbox"/> 16	Gray Acrylic	<input type="checkbox"/> 18	Laminated Safety Glass

[BIM Objects for REVIT® Platform](#)

**Options at Additional Cost (Select Any)**

<input type="checkbox"/>	Futura Embossed "Fire" Handle in Mill, White or Red	<input type="checkbox"/>	Bronze Door & Trim: US9 Bright Polished	<input type="checkbox"/>	FE Diecut Letters - Black Vertical
<input type="checkbox"/>	Flush Pull	<input type="checkbox"/>	Bronze Door & Trim: US10B Oil-rubbed	<input type="checkbox"/>	FE Diecut Letters- Red Vertical
<input type="checkbox"/>	<a href="#">Panorama-Style Full Acrylic Door</a> . Style: _____	<input type="checkbox"/>	Brass Door & Trim: US4 Satin	<input type="checkbox"/>	FE Diecut Letters - White Vertical
<input type="checkbox"/>	Optional Color Tub	<input type="checkbox"/>	(CA) Commander Alarm	<input type="checkbox"/>	FE Diecut Letters - Black Horizontal
<input type="checkbox"/>	Etched Lettering in Glass	<input type="checkbox"/>	(BA) Brigadier Alarm	<input type="checkbox"/>	FE Diecut Letters - Red Horizontal

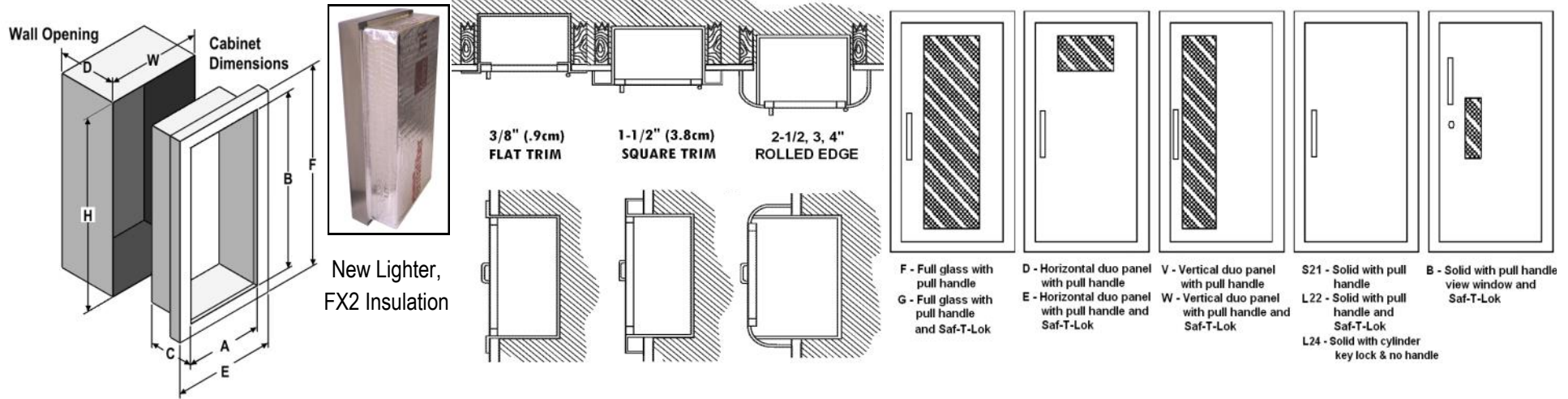
[View Metal Finishes Here](#)

[View Alarms](#)

<p><b>ACTIVAR INC.</b> CONSTRUCTION PRODUCTS GROUP</p> <p>CAVALIER™ IS A TRADEMARK OF ACTIVAR DOWNLOAD CURRENT SUBMITTAL BEFORE ORDERING</p>	Distributor:	Quantity:
	Contractor:	Approved By:
	Model #:	Architect:
	Project:	Date:

© 2017 Activar Construction Products Inc

**SUBMITTAL: CAVALIER FX2 FIRE-RATED EXTINGUISHER CABINET** Please Note! New Wall Opening Dimensions **PAGE 2 OF 2**



Trim and Door Material and Series #						Tub I.D.			Frame O.D.		FX Wall Opening New Dimensions 2015 - Please Note			Accommodates Following Extinguishers	
QTY	US10 Satin Bronze	QTY	US10B Oil Rubbed Bronze	QTY	US3 Polished Brass	Trim Style	A	B	C	E	F	W	H	D	
	1845		1885		1855	Flat Trim	10 1/2	24	5 1/2	13 7/8	27 3/8	12 13/16	26 5/16	6 7/16	Cosmic & Galaxy 2 1/2-6 (6lb must be mounted on tub), Mercury 2 1/2, 5
	1846		1886		1856	1 1/2" Square	10 1/2	24	5 1/2	13 7/8	27 3/8	12 13/16	26 5/16	5 13/16	
	1847		1887		1857	3" Rolled	10 1/2	24	5 1/2	13 7/8	27 3/8	12 13/16	26 5/16	3 5/8	
	1045		1085		1055	Flat Trim	10 1/2	24	6	13 7/8	27 3/8	12 13/16	26 5/16	6 15/16	Cosmic & Galaxy 2 1/2-10 Sentinel 5, Mercury 2 1/2, 5
	1046		1086		1056	1 1/2" Square	10 1/2	24	6	13 7/8	27 3/8	12 13/16	26 5/16	5 11/16	
	1047		1087		1057	3" Rolled	10 1/2	24	6	13 7/8	27 3/8	12 13/16	26 5/16	4	
	2045		2085		2055	Flat Trim	12	27	7 3/4	15 3/8	30 3/8	14 5/16	29 5/16	8 11/16	Any Cosmic or Galaxy (20 lb must be mounted on tub), Mercury, Saturn or Grenadier P, Sentinel 5, 10
	2046		2086		2056	1 1/4" Square	12	27	7 3/4	15 3/8	30 3/8	14 5/16	29 5/16	7 11/16	



**2048V10FX2**  
**US10B Oil-Rubbed**  
**Finish with White**  
**Vertical Diecut Letters**

- Cabinets that Meet 4" Maximum ADA Projection Requirement