

# SUBMITTAL: AMBASSADOR™ STEEL FE CABINETS - OPTIONAL ROLLED EDGE SURFACE MOUNT

The Ambassador Series is a Durable, Attractive Steel Cabinet with Powder-coat Finish that Stands up to Conditions in Commercial Buildings.

**Door & Trim Construction:** Cold rolled steel with white powder-coated finish standard. Flush cabinet doors with a 5/8" door stop are attached by a continuous hinge and equipped with zinc-plated handle and roller catch. All models have 1-3/4" wide trim on frame and 1-1/4" trim on doors with glazing.

**Trim Style & Depth:** Surface-mount model has the optional rolled edge that is available at additional cost to the standard surface-mount cabinet.

**Tub:** The tub is constructed of cold rolled steel with white powder-coat finish standard.

**Fire-Rated Option Available:** No

**STEP 1: SELECT MODEL NUMBER AND QUANTITY ON CHART** (refer to chart on pg 2)

- A. Determine Trim Style according to wall depth.
- B. Determine Tub I.D. according to size most suited for extinguisher and wall opening.

**STEP 2: SELECT DOOR STYLE WITH HANDLE**

Check one box below Examples on Page 2

- |                                                                  |                                                                       |
|------------------------------------------------------------------|-----------------------------------------------------------------------|
| <input type="checkbox"/> F Full Glazing                          | <input type="checkbox"/> L22 Solid with SAF-T-LOK™                    |
| <input type="checkbox"/> G Full Glazing with SAF-T-LOK™          | <input type="checkbox"/> L24 Sold with Cylinder Lock - No Handle      |
| <input type="checkbox"/> D Horizontal Duo Panel                  | <input type="checkbox"/> V Vertical Duo                               |
| <input type="checkbox"/> E Horizontal Dual Panel with SAF-T-LOK™ | <input type="checkbox"/> W Vertical Duo with SAF-T-LOK™               |
| <input type="checkbox"/> S21 Solid Door                          | <input type="checkbox"/> B Solid with Small View Window & Safety Lock |



1019F10


**STEP 3: SELECT DOOR GLAZING**

(Check one box below)

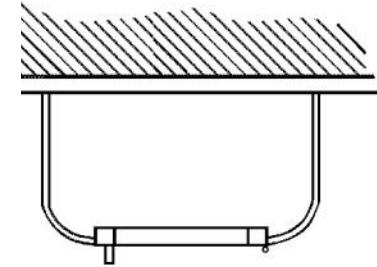
- |                                                               |                                            |                                                    |
|---------------------------------------------------------------|--------------------------------------------|----------------------------------------------------|
| <input type="checkbox"/> 10 Clear Acrylic                     | <input type="checkbox"/> 15 Bronze Acrylic | <input type="checkbox"/> 17 Clear Tempered Glass   |
| <input type="checkbox"/> 13 Clear Wire Glass with Safety Film | <input type="checkbox"/> 16 Gray Acrylic   | <input type="checkbox"/> 18 Laminated Safety Glass |

**STEP 4: OPTIONAL FEATURES AT ADDED COST (SELECT ANY)**

- |                                                                                   |                                                                                                                                                                            |                                                        |                                                                         |
|-----------------------------------------------------------------------------------|----------------------------------------------------------------------------------------------------------------------------------------------------------------------------|--------------------------------------------------------|-------------------------------------------------------------------------|
| <input type="checkbox"/> <b>Optional Tub Color:</b> ___ Black ___ Red             | <input type="checkbox"/> Black Vertical FE Letters LDCVBFE                                                                                                                 | <input type="checkbox"/> Black Vertical Decal LDVBFE   | <input type="checkbox"/> (CA) Commander Alarm                           |
| <input type="checkbox"/> Futura "Fire" Pull ___ Mill Alum ___ Red ___ White       | <input type="checkbox"/> Red Vertical FE Letters LDCVRFE                                                                                                                   | <input type="checkbox"/> Red Vertical Decal LDVRFE     | <input type="checkbox"/> (BA) Brigadier Alarm                           |
| <input type="checkbox"/> Flush Pull Handle                                        | <input type="checkbox"/> White Vertical FE Letters LDCVWFE                                                                                                                 | <input type="checkbox"/> White Vertical Decal LDVWFE   | <input type="checkbox"/> (SA) Strobe Alarm (Surface Mount Models)       |
| <input type="checkbox"/> Polished Chrome Lever Handle (P6)                        | <input type="checkbox"/> Black Horizontal FE Letters LDCHBFE                                                                                                               | <input type="checkbox"/> Black Horizontal Decal LDHBFE | <input type="checkbox"/> Etched or Engraved Lettering in Glass or Metal |
| <input type="checkbox"/> <b>Optional Colors:</b> ___ Red ___ Black ___ Flat Black | <input type="checkbox"/> Red Horizontal FE Letters LDCHRFE                                                                                                                 | <input type="checkbox"/> Red Horizontal Decal LDHRFE   | <input type="checkbox"/> <a href="#">(Complete Separate Submittal)</a>  |
| ___ Sand ___ AMS Beige ___ SC Flat Beige                                          | <input type="checkbox"/> White Horizontal FE Letters LDCHWFE                                                                                                               | <input type="checkbox"/> White Horizontal Decal LDHWFE | <input type="checkbox"/> (MC) Magnetic Catch—Replaces Roller Catch      |
| ___ Gray Primer ___ Bronze ___ Satin Aluminum                                     | <b>For More Information on Options See Other Submittals:</b> <a href="#">Decals &amp; Die Cuts &amp; Wall Signs</a> , <a href="#">Handles &amp; Levers</a> , Custom Colors |                                                        |                                                                         |

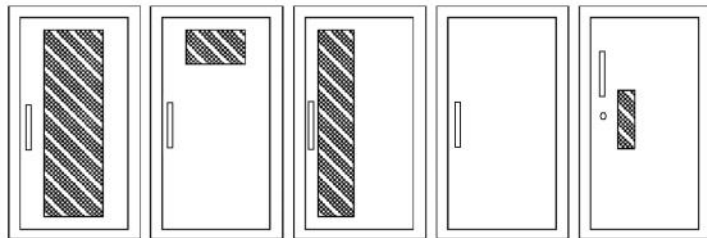
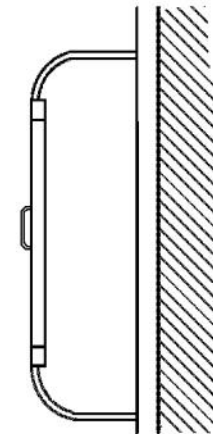
 <p><b>ACTIVAR INC.</b> CONSTRUCTION PRODUCTS GROUP</p> <p>AMBASSADOR AND SAF-T-LOK ARE TRADEMARKS OF ACPG PLEASE DOWNLOAD MOST CURRENT SUBMITTAL FROM WEBSITE BEFORE ORDERING</p>	Distributor:	Quantity:
	Contractor:	Approved By:
	Model #:	Architect:
	Project:	Date: © 2019 Activar Construction Products Group, Inc.
<p><b>HEADQUARTERS:</b> 9702 NEWTON AV S, BLOOMINGTON, MN 55431 <b>PH:</b> 800-554-6077 <b>FAX:</b> 952-835-2218 <b>EMAIL:</b> SALES@ACTIVARCPG.COM WWW.ACTIVARCPG.COM</p> <p><b>MANUFACTURING:</b> BLOOMINGTON MN &amp; COMMERCE, CA • <b>WAREHOUSES:</b> FT MYERS FL, ATLANTA GA, DALLAS TX, SEATTLE WA, LANCASTER PA, FARGO ND, OMAHA NE 1/3/2018</p>		

TRIM & DOOR SERIES #			Tub I.D.			Frame O.D.		**Extinguisher
QTY	Model	Trim Style	A	B	C	E	F	
	8119	Surf. Mtd Rolled	12 3/16	21 3/16	6	12 3/8	21 3/8	Cosmic & Galaxy 2 1/2-6, Mercury 2 1/2- 5
	1019	Surf. Mtd Rolled	13 11/16	27 3/16	6 1/2	13 7/8	27 3/8	Cosmic & Galaxy 2 1/2-10 Mercury 2 1/2-5 , Sentinel 5
	2019	Surf. Mtd Rolled	15 3/16	30 3/16	8 1/4	15 3/8	30 3/8	Any Cosmic or Galaxy , Mercury, Saturn or Grenadier P, Sentinel 5 & 10
	3019	Surf. Mtd Rolled	19 3/16	35 3/16	8 1/4	19 3/8	35 3/8	Any Cosmic or Galaxy, (Mercury, Saturn or Grenadier P, Sentinel 5-15, 272
	4019	Surf. Mtd Rolled	23 3/16	30 3/16	8 1/4	23 3/8	30 3/8	Any Cosmic or Galaxy, Grenadier P, Mercury or Saturn, Sentinel 5

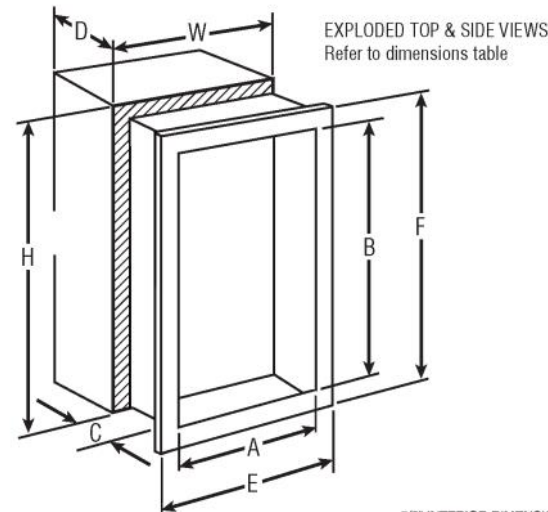


**SURFACE MOUNT  
OPTIONAL ROLLED EDGE**

\*\* It is our recommendation that extinguishers be mounted on the back of the tub wall for these cabinet models.



- F - Full glass with pull handle
- G - Full glass with pull handle and Saf-T-Lok, Not shown.
- D - Horizontal duo panel with pull handle
- E - Horizontal duo panel with pull handle and Saf-T-Lok, Not Shown
- V - Vertical duo panel with pull handle
- W - Vertical duo panel with pull handle and Saf-T-Lok. Not shown.
- S21 - Solid with pull handle
- L22 - Solid with pull handle and Saf-T-Lok, not shown.
- L24 - Solid with cylinder key lock and no handle, not shown.
- B - Solid with pull handle, view window and Saf-T-Lok



[VIEW ALL DOOR STYLES ONLINE](#)