

# SUBMITTAL: AMBASSADOR™ STEEL FIRE EXTINGUISHER CABINETS

The Ambassador Series is a Durable, Attractive Steel Cabinet with Powder-coat Finish that Stands up to Conditions in Commercial Buildings.

**Door & Trim Construction:** Cold-rolled steel with white powder-coated finish standard. Flush cabinet doors with a 5/8" door stop are attached by a continuous hinge and equipped with zinc-plated handle and roller catch. All models have 1-3/4" wide trim on frame and 1-1/4" trim on doors with glazing.

**Trim Style & Depth:** *Trimless Recessed* - See Separate Submittal. *Recessed Flat 3/8" Trim*, *Semi Recessed - 1-1/4", 1-1/2" Square Edge* or 2-1/2", 3", 4", 4-1/2" Rolled edge (4" has flush pull). *Surface-mount* models have a square edge or optional rolled edge can be ordered on a separate submittal.

**Tub:** The tub is constructed of CRS with white powder-coat finish standard.

**Fire-Rated Option Available:** Yes - See separate Submittal Form.

**STEP 1: SELECT MODEL NUMBER AND QUANTITY ON CHART** (refer to chart on page 2)

- A. Determine Trim Style according to wall depth.
- B. Determine Tub I.D. according to size most suited for extinguisher and wall opening.

**STEP 2: SELECT DOOR STYLE WITH HANDLE**

- |  |   |
|--|---|
| <input type="checkbox"/> <b>F</b> Full Glazing in 1-1/4" wide Frame            | <input type="checkbox"/> <b>L22</b> Solid with SAF-T-LOK™                     |
| <input type="checkbox"/> <b>G</b> Full Glazing with SAF-T-LOK™ in 1-1/4" Frame | <input type="checkbox"/> <b>L24</b> Solid with Cylinder Lock - No Handle      |
| <input type="checkbox"/> <b>D</b> Horizontal Duo Panel                         | <input type="checkbox"/> <b>V</b> Vertical Duo                                |
| <input type="checkbox"/> <b>E</b> Horizontal Dual Panel with SAF-T-LOK™        | <input type="checkbox"/> <b>W</b> Vertical Duo with SAF-T-LOK™                |
| <input type="checkbox"/> <b>S21</b> Solid Door                                 | <input type="checkbox"/> <b>B</b> Solid with 2" x 4" View Window & SAF-T-LOK™ |

Check one box below Examples on Page 2

**STEP 3: SELECT DOOR GLAZING** (Check one box below)

- |  |   |   |
|--|---|---|
| <input type="checkbox"/> <b>10</b> Clear Acrylic               | <input type="checkbox"/> <b>15</b> Bronze Acrylic | <input type="checkbox"/> <b>17</b> Clear Tempered Glass   |
| <input type="checkbox"/> <b>13</b> Wire Glass with Safety Film | <input type="checkbox"/> <b>16</b> Gray Acrylic   | <input type="checkbox"/> <b>18</b> Laminated Safety Glass |

**STEP 4: OPTIONAL FEATURES AT ADDED COST (SELECT ANY)**

- |   |   |   |   |
|---|---|---|---|
| <input type="checkbox"/> Optional Tub Color: ___ Black ___ Red                    | <input type="checkbox"/> Black Vertical FE Letters <b>LDCVBFE</b>   | <input type="checkbox"/> Black Vertical Decal <b>LDVBFDE</b>  | <input type="checkbox"/> <b>(CA)</b> Commander Alarm                              |
| <input type="checkbox"/> Futura "Fire" Pull ___ Mill Alum ___ Red ___ White       | <input type="checkbox"/> Red Vertical FE Letters <b>LDCVRFE</b>     | <input type="checkbox"/> Red Vertical Decal <b>LDVRFDE</b>    | <input type="checkbox"/> <b>(BA)</b> Brigadier Alarm                              |
| <input type="checkbox"/> Flush Pull Handle <b>(PRH)</b>                           | <input type="checkbox"/> White Vertical FE Letters <b>LDCVWFE</b>   | <input type="checkbox"/> White Vertical Decal <b>LDVWFE</b>   | <input type="checkbox"/> <b>(SA)</b> Strobe Alarm (Surface Mount Models)          |
| <input type="checkbox"/> Polished Chrome Handle <b>(PUCH)</b>                     | <input type="checkbox"/> Black Horizontal FE Letters <b>LDCHBFE</b> | <input type="checkbox"/> Black Horizontal Decal <b>LDHBFE</b> | <input type="checkbox"/> Etched/Engraved Lettering in Glass or Metal- Attach Sub. |
| <input type="checkbox"/> <u>Optional Colors:</u> ___ Red ___ Black ___ Flat Black | <input type="checkbox"/> Red Horizontal FE Letters <b>LDCHRFE</b>   | <input type="checkbox"/> Red Horizontal Decal <b>LDHRFE</b>   | <input type="checkbox"/> <b>(MC)</b> Magnetic Catch—Replaces Roller Catch         |
| ___ Sand ___ AMS Beige ___ SC Flat Beige  | <input type="checkbox"/> White Horizontal FE Letters <b>LDCHWFE</b> | <input type="checkbox"/> White Horizontal Decal <b>LDHWFE</b> | <input type="checkbox"/> Optional Lock for G, E, W, L22, B—Desc: _____            |
| ___ Gray ___ Bronze ___ Silver  |   |   |   |

For More Information on Options See Other Submittals: [Handles & Levers](#) [Decals/Die Cuts & Wall Signs](#) [More Alarm Information](#)



**1012W10**  
4" Rolled Trim with  
Flush Pull Standard




**1017V10**  
3" Rolled Trim  
Semi-Recessed



**1816F10**  
1-1/2" Square Trim  
Semi-Recessed

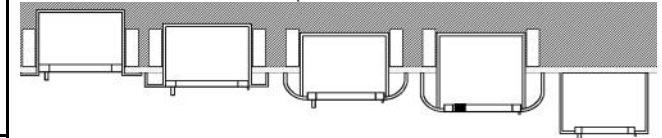
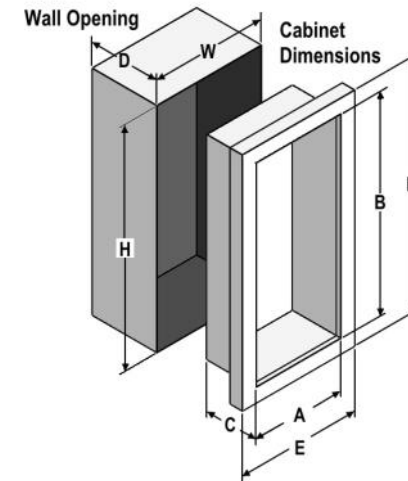
[BIM Objects for REVIT®](#)

 <p><b>ACTIVAR INC.</b> CONSTRUCTION PRODUCTS GROUP</p> <p>AMBASSADOR™ IS A TRADEMARK OF ACPG DOWNLOAD CURRENT SUBMITTAL BEFORE ORDERING</p>	Distributor:	Quantity:
	Contractor:	Approved By:
	Model #:	Architect:
	Project:	Date:

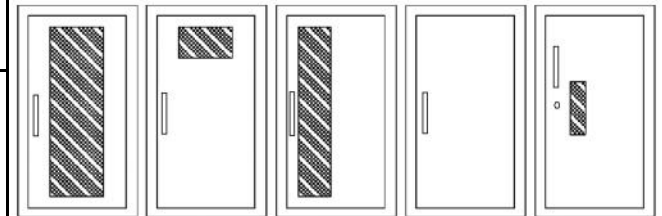
HEADQUARTERS: 9702 NEWTON AV S, BLOOMINGTON, MN 55431 PH: 800-554-6077 FAX: 952-835-2218 EMAIL: SALES@ACTIVARCPG.COM WWW.ACTIVARCPG.COM  
 MANUFACTURING: BLOOMINGTON MN & COMMERCE, CA • WAREHOUSES: FT MYERS FL, ATLANTA GA, DALLAS TX, SEATTLE WA, LANCASTER PA, FARGO ND, OMAHA NE 5/2/19

# SUBMITTAL: AMBASSADOR STEEL FIRE EXTINGUISHER CABINETS

TRIM & DOOR SERIES #			Tub I.D.			Frame O.D.		Wall Opening			Fits Extinguishers Below <a href="#">Link to More Information</a>
QTY	Model	Trim Style	A	B	C	E	F	W	H	D	
	<b>8115</b>	Flat 3/8" Trim ●	9	18	5 1/2	12 3/8	21 3/8	10	19	5 3/8	Cosmic & Galaxy 2 1/2-6 (6 lb must be mounted to tub wall), Mercury 2 1/2- 5
	<b>8116</b>	1 1/2" Square ●	9	18	5 1/2	12 3/8	21 3/8	10	19	4 1/8	
	<b>8117</b>	2-1/2" Rolled ●	9	18	5 1/2	12 3/8	21 3/8	10	19	3 1/8	
	<b>8113</b>	Surf. Mtd Sq	12 3/16	21 3/16	6	12 3/8	21 3/8	--	--	--	
	<b>1710</b>	2-1/4" Square ●	10 1/2	24	5	13 7/8	27 3/8	11 1/2	25	3	Cosmic/Galx/Merc 2-5
	<b>1815</b>	Flat 3/8" Trim ●	10 1/2	24	5 1/2	13 7/8	27 3/8	11 1/2	25	5 3/8	Cosmic & Galaxy 2 1/2-6 (6 lb must be mounted to tub wall) Mercury 2 1/2-5
	<b>1816</b>	1 1/2 Square ●	10 1/2	24	5 1/2	13 7/8	27 3/8	11 1/2	25	4 1/8	
	<b>1817</b>	3" Rolled ●	10 1/2	24	5 1/2	13 7/8	27 3/8	11 1/2	25	2 5/8	
	<b>1812</b>	4" Rolled/Flush Pull ●	10 1/2	24	5 1/2	13 7/8	27 3/8	11 1/2	25	1 7/8	
	<b>1818</b>	4 1/2" Rolled	10 1/2	24	5 1/2	13 7/8	27 3/8	11 1/2	25	1 1/8	
	<b>1015</b>	Flat 3/8" Trim ●	10 1/2	24	6	13 7/8	27 3/8	11 1/2	25	5 7/8	Cosmic & Galaxy 2 1/2-10 Mercury 2 1/2-5, Sentinel 5
	<b>1016</b>	1 1/2" Square ●	10 1/2	24	6	13 7/8	27 3/8	11 1/2	25	4 5/8	
	<b>1017</b>	3" Rolled ●	10 1/2	24	6	13 7/8	27 3/8	11 1/2	25	3 1/8	
	<b>1012</b>	4" Rolled/Flush Pull ●	10 1/2	24	6	13 7/8	27 3/8	11 1/2	25	2 3/8	
	<b>1018</b>	4 1/2 Rolled	10 1/2	24	6	13 7/8	27 3/8	11 1/2	25	1 5/8	
	<b>1013</b>	Surf Mtd. Sq	13 11/16	27 3/16	6 1/2	13 7/8	27 3/8	--	--	--	
	<b>2015</b>	Flat 3/8" Trim ●	12	27	7 3/4	15 3/8	30 3/8	13	28	7 5/8	Any Cosmic or Galaxy (20 lb must be mounted on tub wall) Mercury, Saturn or Grenadier P, Sentinel 5 & 10
	<b>2016</b>	1 1/4 Square ●	12	27	7 3/4	15 3/8	30 3/8	13	28	6 5/8	
	<b>2017</b>	2 1/2 Rolled ●	12	27	7 3/4	15 3/8	30 3/8	13	28	5 3/8	
	<b>2012</b>	4 Rolled/Flush Pull ●	12	27	7 3/4	15 3/8	30 3/8	13	28	4 1/8	
	<b>2018</b>	4 1/2" Rolled	12	27	7 3/4	15 3/8	30 3/8	13	28	3 3/8	
	<b>2013</b>	Surf Mtd. Sq	15 3/16	30 3/16	8 1/4	15 3/8	30 3/8	--	--	--	
	<b>3015</b>	Flat 3/8" Trim ●	16	32	7 3/4	19 3/8	35 3/8	17	33	7 5/8	Any Cosmic or Galaxy (20 lb must be mounted on tub wall), Mercury, Saturn or Grenadier P, Sentinel 5-15, 272
	<b>3016</b>	1 1/4" Square ●	16	32	7 3/4	19 3/8	35 3/8	17	33	6 5/8	
	<b>3017</b>	2 1/2" Rolled ●	16	32	7 3/4	19 3/8	35 3/8	17	33	5 3/8	
	<b>3012</b>	4" Rolled/Flush Pull ●	16	32	7 3/4	19 3/8	35 3/8	17	33	4 1/8	
	<b>3018</b>	4 1/2" Rolled	16	32	7 3/4	19 3/8	35 3/8	17	33	3 3/8	
	<b>3013</b>	Surf Mtd. Sq	19 3/16	35 3/16	8 1/4	19 3/8	35 3/8	--	--	--	
	<b>4015</b>	Flat 3/8" Trim ●	20	27	7 3/4	23 3/8	30 3/8	21	28	7 5/8	Two each of: any Cosmic or Galaxy (20 lb must be mounted on tub wall), Mercury, Sat- urn or Grenadier P, Sentinel 5
	<b>4016</b>	1 1/4" Square ●	20	27	7 3/4	23 3/8	30 3/8	21	28	6 5/8	
	<b>4017</b>	2 1/2" Rolled ●	20	27	7 3/4	23 3/8	30 3/8	21	28	5 3/8	
	<b>4012</b>	4" Rolled/Flush Pull ●	20	27	7 3/4	23 3/8	30 3/8	21	28	4 1/8	
	<b>4018</b>	4 1/2" Rolled	20	27	7 3/4	23 3/8	30 3/8	21	28	3 3/8	
	<b>4013</b>	Surf Mtd. Sq	23 3/16	30 3/16	8 1/4	23 3/8	30 3/8	--	--	--	



3/8" Flat Trim 1-1/2" Square Trim 2-1/2", 3" Rolled Edge 4" Rolled w/ Flush Pull or 4-1/2" w/Std Pull Surface Mounted



F - Full glass with pull handle  
G - Full glass with pull handle above Saf-T-Lok (Not Shown)  
D - Horizontal duo panel with pull handle  
E - Horizontal duo panel with pull handle above Saf-T-Lok. (Not Shown)  
V - Vertical duo panel with pull handle  
W - Vertical duo panel with pull handle above Saf-T-Lok. (Not Shown)  
S21 - Solid with pull handle  
L22 - Solid with pull handle above Saf-T-Lok  
L24 - Solid with cylinder key lock and no handle (Not Shown)  
B - Small view window with pull handle, above Saf-T-Lok

**ADA Cabinet Mounting Height:** Standard Pull on G, E, W, L22 and B Door Styles with Saf-T-Lok are 3 5/8" Higher than Door Center, so Allow for that When Mounting Cabinet. Standard Pull with No Lock or Flush Pull are Centered on Door. [ADA Information](#)

Models shown in **Large Bold** above are available in several door styles for Quick Shipment. See current Stock List.

- Cabinets that Meet 4" Maximum ADA Projection Requirement

[VIEW ALL DOOR STYLES ONLINE](#)