

**The Ambassador Series is a Durable, Attractive Steel Cabinet with a Chrome Finish.**

**Door & Trim Construction:** Cold rolled steel with dipped, chrome finish. Flush cabinet doors with a 5/8" door stop are attached by a continuous hinge and equipped with zinc-plated handle and roller catch. All models have 1-3/4" trim on face and 1-1/4" trim on doors with glazing.

**Trim Style & Depth:** Recessed 3/8" flat trim, Semi Recessed - 1-1/4", 1-1/2" Square Edge or 2-1/2", 3", 4", 4-1/2" Rolled Edge (4" has recessed FlushC pull).

**Tub:** The tub is constructed of cold rolled steel with white powder-coat finish standard. Tub forms a flange to cover cut edges of wallboard material. Fire-resistant material is attached to the exterior of the tub. Please note that dimensions for wall opening have changed for the new FX2 design. See Chart on pg 2.

**Fire-Rating:** Fire-FX2™ cabinets are fabricated in accordance with the UL label for one and two hour combustibile and non-combustibile wall system building codes. The fire testing has met the requirement of ANSI/UL 1479 (ASTM –E814) and ULC/CAN S115-for membrane and penetration firestops. Installation instructions must be strictly adhered to in order to obtain the fire rating.

**STEP 1: SELECT MODEL NUMBER AND QUANTITY ON CHART** (refer to chart on pg 2)

**A.** Determine Trim Style according to wall depth. **B.** Determine Tub I.D. according to size most suited for extinguisher and

**STEP 2: SELECT DOOR STYLE WITH HANDLE**

Check one box below Examples on Page 2

- |  |   |
|--|---|
| <input type="checkbox"/> <b>F</b> Full Glazing in 1-1/4" wide Frame            | <input type="checkbox"/> <b>L22</b> Solid with SAF-T-LOK™                     |
| <input type="checkbox"/> <b>G</b> Full Glazing with SAF-T-LOK™ in 1-1/4" Frame | <input type="checkbox"/> <b>L24</b> Sold with Cylinder Lock - No Handle       |
| <input type="checkbox"/> <b>D</b> Horizontal Duo Panel                         | <input type="checkbox"/> <b>V</b> Vertical Duo                                |
| <input type="checkbox"/> <b>E</b> Horizontal Dual Panel with SAF-T-LOK™        | <input type="checkbox"/> <b>W</b> Vertical Duo with SAF-T-LOK™                |
| <input type="checkbox"/> <b>S21</b> Solid Door                                 | <input type="checkbox"/> <b>B</b> Solid with 2" x 4" View Window & SAF-T-LOK™ |

**1017V10FX2 3" Rolled Trim Semi-Recessed Polished Chrome**

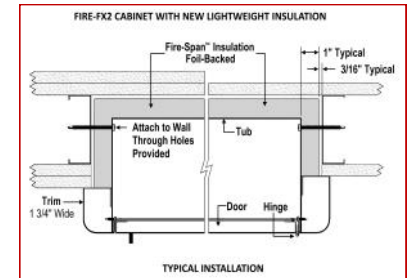


**STEP 3: SELECT DOOR GLAZING** (Check one box below)

- |  |   |   |
|--|---|---|
| <input type="checkbox"/> <b>10</b> Clear Acrylic               | <input type="checkbox"/> <b>15</b> Bronze Acrylic | <input type="checkbox"/> <b>17</b> Clear Tempered Glass   |
| <input type="checkbox"/> <b>13</b> Wire Glass with Safety Film | <input type="checkbox"/> <b>16</b> Gray Acrylic   | <input type="checkbox"/> <b>18</b> Laminated Safety Glass |



**Rolled Trim with Satin Chrome Finish**



**STEP 4: SELECT DOOR AND TRIM FINISH**

- Polished Chrome Finish     Satin Chrome Finish

**STEP 5: OPTIONAL FEATURES AT ADDED COST (SELECT ANY)**

- |   |   |   |   |
|---|---|---|---|
| <input type="checkbox"/> Optional Tub Color: ___ Black ___ Red              | <input type="checkbox"/> Red Vertical FE Letters <b>LDCVRFE</b>     | <input type="checkbox"/> Black Vertical Decal <b>LDVBFE</b>   | <input type="checkbox"/> (MC) Magnetic Catch—Replaces Roller Catch          |
| <input type="checkbox"/> Futura "Fire" Pull ___ Mill Alum ___ Red ___ White | <input type="checkbox"/> White Vertical FE Letters <b>LDCVWFE</b>   | <input type="checkbox"/> Red Vertical Decal <b>LDVRFE</b>     | <input type="checkbox"/> White Horizontal Decal <b>LDHWFE</b>               |
| <input type="checkbox"/> Flush Pull Handle                                  | <input type="checkbox"/> Black Horizontal FE Letters <b>LDCHBFE</b> | <input type="checkbox"/> White Vertical Decal <b>LDVWFE</b>   | <input type="checkbox"/> (CA) Commander Alarm                               |
| <input type="checkbox"/> Polished Chrome Handle ( <b>PUCH</b> )             | <input type="checkbox"/> Red Horizontal FE Letters <b>LDCHRFE</b>   | <input type="checkbox"/> Black Horizontal Decal <b>LDHBFE</b> | <input type="checkbox"/> (BA) Brigadier Alarm                               |
| <input type="checkbox"/> Black Vertical FE Letters <b>LDCVBFE</b>           | <input type="checkbox"/> White Horizontal FE Letters <b>LDCHWFE</b> | <input type="checkbox"/> Red Horizontal Decal <b>LDHRFE</b>   | <input type="checkbox"/> (SA) Strobe Alarm (3-1/2-4" Trim Models)           |
|   |   |   | <input type="checkbox"/> Etched Lettering in Glass (use separate submittal) |

For More Information on Options See Other Submittals: [Decals/Die Cuts & Wall Signs](#), [More Alarm Information](#)

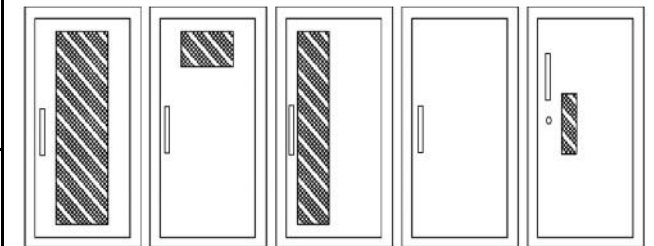
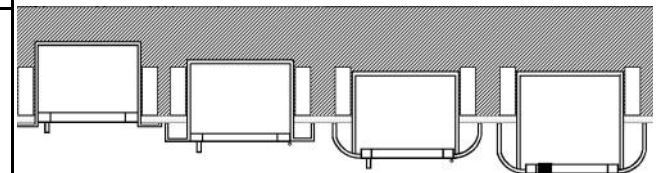
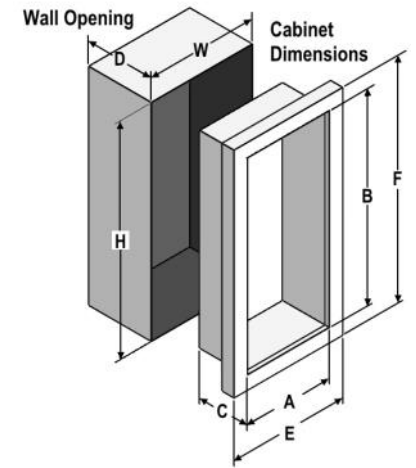
<p><b>ACTIVAR INC.</b> CONSTRUCTION PRODUCTS GROUP</p> <p>AMBASSADOR, FX 2AND SAF-T-LOK ARE TRADEMARKS OF ACPG PLEASE DOWNLOAD THE MOST CURRENT SUBMITTAL FROM WEBSITE BEFORE ORDERING</p>	Distributor:	Quantity:
	Contractor:	Approved By:
	Model #:	Architect:
	Project:	Date: © 2017 Activar Construction Products Group, Inc
<p><b>HEADQUARTERS:</b> 9702 NEWTON AV S, BLOOMINGTON, MN 55431 <b>PH:</b> 800-554-6077 <b>FAX:</b> 952-835-2218 <b>EMAIL:</b> SALES@ACTIVARCPG.COM WWW.ACTIVARCPG.COM</p> <p><b>MANUFACTURING:</b> BLOOMINGTON MN &amp; COMMERCE, CA • <b>WAREHOUSES:</b> FT MYERS FL, ATLANTA GA, DALLAS TX, SEATTLE WA, LANCASTER PA, FARGO ND, OMAHA NE 6/13/2017</p>		

**SUBMITTAL: AMBASSADOR FX2™ STEEL CABINETS W CHROME FINISH OPTION PLEASE NOTE CHANGES IN WALL OPENING**

TRIM & DOOR SERIES #			Tub I.D.			Frame O.D.			FX Wall Opening New Dimensions in 2015 - Please Note			Fits Extinguishers
QTY	Model	Trim Style	A	B	C	E	F	W	H	D		
	8115	Flat 3/8" Trim •	9	18	5 1/2	12 3/8	21 3/8	11 5/16	20 5/16	6 7/16	Cosmic & Galaxy	
	8116	1 1/2 Square •	9	18	5 1/2	12 3/8	21 3/8	11 5/16	20 5/16	5 3/16	2 1/2-6	
	8117	2 1/2 Rolled •	9	18	5 1/2	12 3/8	21 3/8	11 5/16	20 5/16	4	Mercury 2 1/2, 5	
	1710	2-1/2 Square •	10 1/2	24	5	13 7/8	27 3/8	12 13/16	26 5/16	4		
	1815	Flat 3/8" Trim •	10 1/2	24	5 1/2	13 7/8	27 3/8	12 13/16	26 5/16	6 7/16	Cosmic & Galaxy	
	1816	1 1/2 Square •	10 1/2	24	5 1/2	13 7/8	27 3/8	12 13/16	26 5/16	5 3/16	2 1/2-6	
	1817	3 Rolled •	10 1/2	24	5 1/2	13 7/8	27 3/8	12 13/16	26 5/16	3 5/8	Mercury 2 1/2, 5	
	1812	4 Rolled/Flush Pull •	10 1/2	24	5 1/2	13 7/8	27 3/8	12 13/16	26 5/16	2 7/8		
	1818	4 1/2 Rolled	10 1/2	24	5 1/2	13 7/8	27 3/8	12 13/16	26 5/16	2 3/16		
	1015	Flat 3/8" Trim •	10 1/2	24	6	13 7/8	27 3/8	12 13/16	26 5/16	6 15/16		
	1016	1 1/2 Square •	10 1/2	24	6	13 7/8	27 3/8	12 13/16	26 5/16	5 11/16	Cosmic or Galaxy	
	1017	3 Rolled •	10 1/2	24	6	13 7/8	27 3/8	12 13/16	26 5/16	4	2 1/2-10	
	1012	4 Rolled/Flush Pull •	10 1/2	24	6	13 7/8	27 3/8	12 13/16	26 5/16	3 3/8	Sentinel 5	
	1018	4 1/2 Rolled	10 1/2	24	6	13 7/8	27 3/8	12 13/16	26 5/16	2 11/16	Mercury 2 1/2, 5	
	2015	Flat 3/8" Trim •	12	27	7 3/4	15 3/8	30 3/8	14 5/16	29 5/16	8 11/16		
	2016	1 1/4 Square •	12	27	7 3/4	15 3/8	30 3/8	14 5/16	29 5/16	7 11/16	Any Cosmic or Galaxy (20 lb must be mounted to tub back), Mercury, Saturn or Grenadier P, Sentinel 5 & 10	
	2017	2 1/2 Rolled •	12	27	7 3/4	15 3/8	30 3/8	14 5/16	29 5/16	6 7/16		
	2012	4 Rolled/Flush Pull •	12	27	7 3/4	15 3/8	30 3/8	14 5/16	29 5/16	5 1/8		
	2018	4 1/2 Rolled	12	27	7 3/4	15 3/8	30 3/8	14 5/16	29 5/16	4 7/16		
	3015	Flat 3/8" Trim •	16	32	7 3/4	19 3/8	35 3/8	18 5/16	34 5/16	8 11/16		
	3016	1 1/4 Square •	16	32	7 3/4	19 3/8	35 3/8	18 5/16	34 5/16	7 11/16	Any Cosmic or Galaxy (20 lb must be mounted to tub back), Mercury, Saturn or Grenadier P, Sentinel 5 & 10	
	3017	2 1/2 Rolled •	16	32	7 3/4	19 3/8	35 3/8	18 5/16	34 5/16	6 7/16		
	3012	4 Rolled/Flush Pull •	16	32	7 3/4	19 3/8	35 3/8	18 5/16	34 5/16	5 1/8		
	3018	4 1/2 Rolled	16	32	7 3/4	19 3/8	35 3/8	18 5/16	34 5/16	4 7/16		
	4015	Flat 3/8" Trim •	20	27	7 3/4	23 3/8	30 3/8	22 5/16	29 5/16	8 11/16		
	4016	1 1/4 Square •	20	27	7 3/4	23 3/8	30 3/8	22 5/16	29 5/16	7 11/16	Any Cosmic or Galaxy (20 lb must be mounted to tub back), Mercury, Saturn or Grenadier P, Sentinel 5-15, 272	
	4017	2 1/2 Rolled •	20	27	7 3/4	23 3/8	30 3/8	22 5/16	29 5/16	6 7/16		
	4012	4 Rolled/Flush Pull •	20	27	7 3/4	23 3/8	30 3/8	22 5/16	29 5/16	5 1/8		
	4018	4 1/2 Rolled	20	27	7 3/4	23 3/8	30 3/8	22 5/16	29 5/16	4 7/16		



New Lighter, FX2 Insulation



- F - Full glass with pull handle
- G - Full glass with pull handle above Saf-T-Lok (not shown)
- D - Horizontal duo panel with pull handle
- E - Horizontal duo panel with pull handle above Saf-T-Lok (not shown)
- V - Vertical duo panel with pull handle
- W - Vertical duo panel with pull handle above Saf-T-Lok (not shown)
- S21 - Solid with pull handle
- L22 - Solid with pull handle above Saf-T-Lok
- L24 - Solid with cylinder key lock and no handle
- B - Small view window with pull handle, and Saf-T-Lok

[VIEW ALL DOOR STYLES ONLINE](#)

**ADA Cabinet Mounting Height:** Standard Pull on G, E, W, L22 and B Door Styles with Saf-T-Lok are 3 5/8" Higher than Door Center, so Allow for that When Mounting Cabinet. Standard Pull with No Lock or Flush Pull are Centered on Door.

• Models that meet the ADA Projection Requirements