

# SUBMITTAL: ACADEMY™ ALUMINUM FIRE EXTINGUISHER CABINETS

The Academy Series Features Aluminum Trim and Door, with 10 Door Styles & Optional Anodized Colors.

**Door & Trim Construction:** No 180 clear anodized aluminum. Flush cabinet doors with a 5/8" door stop are attached by a continuous hinge and equipped with zinc-plated handle and roller catch. All models have 1-3/4" wide trim on frame and 1-1/4" trim on doors with glazing. Rolled edge models are constructed of mechanically-joined extrusions, except for models 1827 and 1027 which are die formed. *Die formed corners provide an attractive, rounded edge - unique to the JL line of cabinets!*

**Trim Style & Depth:** Recessed 3/8" flat trim, Semi Recessed - 1-1/4", 1-1/2" Square Edge or 2-1/2", 3", 4", 4-1/2" Rolled Edge (4" has recessed ADAC pull). Surface-mount models have a square edge.

**Tub:** The tub is constructed of cold rolled steel with white powder-coat finish standard. Surface-mounted models have aluminum tub.

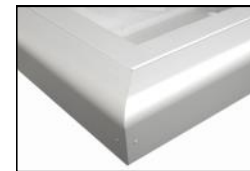


**8125D10**  
Flat Trim  
Semi-Recessed

**1827G10**  
3" Rolled Trim  
Semi-Recessed  
with Saf-T-Lok™  
Unique Die  
Formed Rolled  
Corners!



**Formed Rolled Edge**  
1027 and 1827



**Extruded Rolled Edge**  
2-1/2", 4" and 4-1/2"

**STEP 1: SELECT MODEL NUMBER AND QUANTITY ON CHART** (refer to chart on pg 2)

- A. Determine Trim Style according to wall depth.
- B. Determine Tub I.D. according to size most suited for extinguisher and wall opening.

**STEP 2: SELECT DOOR STYLE WITH HANDLE**

- F** Full Glazing
- G** Full Glazing with SAF-T-LOK™
- D** Horizontal Duo Panel
- E** Horizontal Dual Panel with SAF-T-LOK™
- S21** Solid Door

Check one box below Examples on Page 2

- L22** Solid with SAF-T-LOK™
- L24** Solid with Cylinder Lock - No Handle
- V** Vertical Duo
- W** Vertical Duo with SAF-T-LOK™
- B** Solid with 2" x 4" View Window & SAF-T-LOK™

**STEP 3: SELECT DOOR GLAZING**

(Check one box below)


- 10** Clear Acrylic
- 13** Clear Wire Glass with Safety Film
- 15** Bronze Acrylic
- 16** Gray Acrylic
- 17** Clear Tempered Glass
- 18** Laminated Safety Glass

[BIM Objects for REVIT® Platform](#)

**STEP 4: OPTIONAL FEATURES AT ADDED COST (SELECT ANY)**

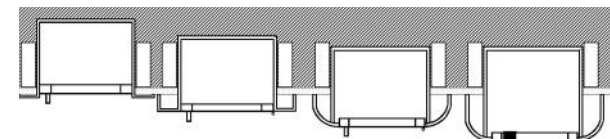
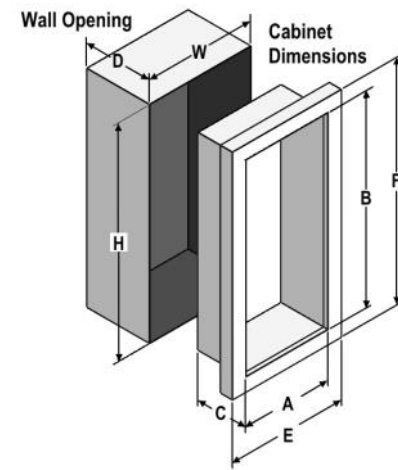
- Optional Tub Color: \_\_\_ Black \_\_\_ Red
  - Futura "Fire" Pull \_\_\_ Mill Alum \_\_\_ Red \_\_\_ White
  - Flush Pull Handle (**PRH**)
  - Polished Chrome Handle (**PUCH**)
  - Aluminum Tub - Clear Anodized
  - [Optional Anodized Color Finish](#)  
\_\_\_ Dark Bronze (pulls to match)
  - Black Vertical FE Letters **LDCVBF**
  - Red Vertical FE Letters **LDCVRF**
  - White Vertical FE Letters **LDCVWF**
  - Black Horizontal FE Letters **LDCHBF**
  - Red Horizontal FE Letters **LDCHRF**
  - White Horizontal FE Letters **LDCHWF**
  - Black Vertical Decal **LDVBF**
  - Red Vertical Decal **LDVRF**
  - White Vertical Decal **LDVWF**
  - Black Horizontal Decal **LDHBF**
  - Red Horizontal Decal **LDHRF**
  - White Horizontal Decal **LDHWF**
  - (CA)** Commander Alarm
  - (BA)** Brigadier Alarm
  - (SA)** Strobe Alarm (Surface mount models)
  - Etched/Engraved Lettering in Glass or Metal- Attach Sub
  - Powder Coat Paint** \_\_\_ White \_\_\_ Bronze \_\_\_ Other Code
- See Separate Submittal for Rolled Surface Mt.

For More Information on Options See Other Submittals: [Handles & Pulls](#) [Decals/Die Cuts & Wall Signs](#) [More Alarm Information](#)

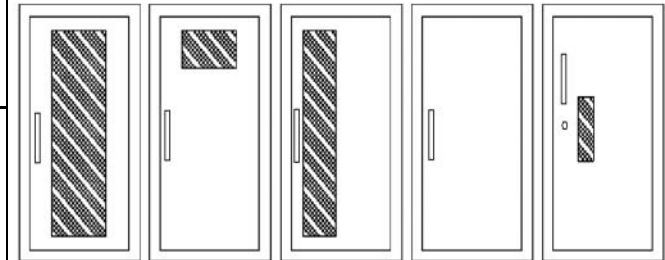
 <p><b>ACTIVAR INC.</b> CONSTRUCTION PRODUCTS GROUP</p> <p>ACADEMY AND SAF-T-LOK ARE TRADEMARKS OF ACPG</p> <p>JL INDUSTRIES PLEASE DOWNLOAD MOST CURRENT SUBMITTAL FROM WEBSITE BEFORE ORDERING</p>	Distributor:	Quantity:
	Contractor:	Approved By:
	Model #:	Architect:
	Project:	Date:
<p>HEADQUARTERS: 9702 NEWTON AV S, BLOOMINGTON, MN 55431 PH: 800-554-6077 FAX: 952-835-2218 EMAIL: SALES@ACTIVARCPG.COM WWW.ACTIVARCPG.COM</p> <p>MANUFACTURING: COMMERCE, CA &amp; BLOOMINGTON MN • WARE HOUSES: FT MYERS FL, ATLANTA GA, DALLAS TX, SEATTLE WA, LANCASTER PA, FARGO ND, OMAHA NE 3/20/2019</p>		

# SUBMITTAL: ACADEMY ALUMINUM FIRE EXTINGUISHER CABINETS

TRIM & DOOR SERIES #			Tub I.D.			Frame O.D.		Wall Opening			Fits Extinguishers <a href="#">View Submittal</a>
QTY	Model	Trim Style "	A	B	C	E	F	W	H	D	
	<b>8125</b>	Flat 3/8" Trim •	9	18	5 1/2	12 3/8	21 3/8	10	19	5 3/8	Cosmic & Galaxy 2 1/2-6 (6 lb must be mounted on tub) Mercury 2 1/2- 5
	<b>8126</b>	1 1/2 Square•	9	18	5 1/2	12 3/8	21 3/8	10	19	4 1/8	
	<b>8127</b>	2 1/2 Rolled•	9	18	5 1/2	12 3/8	21 3/8	10	19	3 3/4	
	<b>8123</b>	Surf. Mtd Sq	12 3/16	21 3/16	6	12 3/8	21 3/8	--	--	--	
	<b>1720</b>	2-1/4 Square •	10 1/2	24	5	13 7/8	27 3/8	11 1/2	25	3	Cosmic/Gal/Merc 2-5
	<b>1825</b>	Flat 3/8" Trim •	10 1/2	24	5 1/2	13 7/8	27 3/8	11 1/2	25	5 3/8	Cosmic & Galaxy 2 1/2-6(6 lb must be mounted on tub) Mercury 2 1/2-5
	<b>1826</b>	1 1/2 Square•	10 1/2	24	5 1/2	13 7/8	27 3/8	11 1/2	25	4 1/8	
	<b>1827</b>	3 Formed Rolled •	10 1/2	24	5 1/2	13 7/8	27 3/8	11 1/2	25	2 5/8	
	<b>1822</b>	4 Rolled/Flush Pull•	10 1/2	24	5 1/2	13 7/8	27 3/8	11 1/2	25	2 1/2	
	<b>1828</b>	4 1/2 Rolled	10 1/2	24	5 1/2	13 7/8	27 3/8	11 1/2	25	1-3/4	
	<b>1025</b>	Flat 3/8" Trim •	10 1/2	24	6	13 7/8	27 3/8	11 1/2	25	5 7/8	Cosmic & Galaxy 2 1/2-10 Mercury 2 1/2-5, Sentinel 5
	<b>1026</b>	1 1/2 Square•	10 1/2	24	6	13 7/8	27 3/8	11 1/2	25	4 5/8	
	<b>1027</b>	3 Formed Rolled •	10 1/2	24	6	13 7/8	27 3/8	11 1/2	25	3 1/8	
	<b>1022</b>	4 Rolled/Flush Pull•	10 1/2	24	6	13 7/8	27 3/8	11 1/2	25	3	
	<b>1028</b>	4 1/2 Rolled	10 1/2	24	6	13 7/8	27 3/8	11 1/2	25	2 1/4	
	<b>1023</b>	Surf Mtd. Sq	13 11/16	27 3/16	6 1/2	13 7/8	27 3/8	--	--	--	
	<b>2025</b>	Flat 3/8" Trim •	12	27	7 3/4	15 3/8	30 3/8	13	28	7 5/8	Any Cosmic, Galaxy, Mercury, Saturn or Grenadier P (20 lb must be mounted on back of tub), Sentinel 5 & 10
	<b>2026</b>	1 1/4 Square•	12	27	7 3/4	15 3/8	30 3/8	13	28	6 5/8	
	<b>2027</b>	2 1/2 Rolled•	12	27	7 3/4	15 3/8	30 3/8	13	28	6	
	<b>2022</b>	4 Rolled/Flush Pull•	12	27	7 3/4	15 3/8	30 3/8	13	28	4 3/4	
	<b>2028</b>	4 1/2 Rolled	12	27	7 3/4	15 3/8	30 3/8	13	28	4	
	<b>2023</b>	Surf Mtd. Sq	15 3/16	30 3/16	8 1/4	15 3/8	30 3/8	--	--	--	
	<b>3025</b>	Flat 3/8" Trim •	16	32	7 3/4	19 3/8	35 3/8	17	33	7 5/8	Any Cosmic, Galaxy, Mercury, Saturn or Grenadier P (20 lb must be mounted on back of tub), Sentinel 5-15, 272
	<b>3026</b>	1 1/4 Square•	16	32	7 3/4	19 3/8	35 3/8	17	33	6 5/8	
	<b>3027</b>	2 1/2 Rolled•	16	32	7 3/4	19 3/8	35 3/8	17	33	6	
	<b>3022</b>	4 Rolled/Flush Pull•	16	32	7 3/4	19 3/8	35 3/8	17	33	4 3/4	
	<b>3028</b>	4 1/2 Rolled	16	32	7 3/4	19 3/8	35 3/8	17	33	4	
	<b>3023</b>	Surf Mtd. Sq	19 3/16	35 3/16	8 1/4	19 3/8	35 3/8	--	--	--	
	<b>4025</b>	Flat 3/8" Trim •	20	27	7 3/4	23 3/8	30 3/8	21	28	7 5/8	Two each of: any Cosmic, Galaxy, Mercury, Saturn or Grenadier P (20 lb must be mounted on back of tub), Sentinel 5
	<b>4026</b>	1 1/4 Square•	20	27	7 3/4	23 3/8	30 3/8	21	28	6 5/8	
	<b>4027</b>	2 1/2 Rolled•	20	27	7 3/4	23 3/8	30 3/8	21	28	6	
	<b>4022</b>	4 Rolled/Flush Pull•	20	27	7 3/4	23 3/8	30 3/8	21	28	4 3/4	
	<b>4028</b>	4 1/2 Rolled	20	27	7 3/4	23 3/8	30 3/8	21	28	4	
	<b>4023</b>	Surf Mtd. Sq	23 3/16	30 3/16	8 1/4	23 3/8	30 3/8	--	--	--	



3/8" Flat Trim    1-1/2" Square Trim    2-1/2", 3" Rolled Edge    4" Rolled Edge with Flush Pull Standard



F - Full glass with pull handle  
G - Full glass with pull handle above Saf-T-Lok (not shown)  
D - Horizontal duo panel with pull handle  
E - Horizontal duo panel with pull handle above Saf-T-Lok (not shown)  
V - Vertical duo panel with pull handle  
W - Vertical duo panel with pull handle above Saf-T-Lok (not shown)  
S21 - Solid with pull handle  
L22 - Solid with pull handle above Saf-T-Lok  
L24 - Solid with cylinder key lock and no handle  
B - Small view window with pull handle, and Saf-T-Lok

[VIEW ALL DOOR STYLES ONLINE](#)

**ADA Cabinet Mounting Height:** Standard Pull on G, E, W, L22 and B Door Styles with Saf-T-Lok are 3 5/8" Higher than Door Center, so Allow for that When Mounting Cabinet. Standard Pull with No Lock or Flush Pull are Centered on Door.

• Cabinets that Meet 4" Maximum ADA Projection Requirement

Models shown in **Large Bold** above are available in several door styles for Quick Shipment . [See current Stock List.](#)

[ADA Information](#)