

# SUBMITTAL: ACADEMY ALUMINUM FX2™ FIRE EXTINGUISHER CABINETS - TRIMLESS RECESSED

The Academy Series Features an Aluminum Door, with 10 Door Styles & Optional Anodized Colors. The FX2 Fire-Rated Trimless Series is Designed to be Installed Between the layers of Drywall or Under Plaster for a Flush, Finished Surface.

**Door Construction:** Anodized aluminum finish standard. Flush cabinet doors are attached by a continuous hinge and equipped with zinc-plated handle and roller catch.

**Flange for Drywall, Stucco or Plaster:** 1-1/2" wide recessed flange is to be concealed by drywall, stucco or plaster. 5/8" Drywall - first layer of drywall is to be installed before cabinet, second layer over flange after cabinet is installed. 3/4" depth Plaster or Stucco - fire-rated substrate is to be installed before cabinet, and plaster applied after cabinet is installed.

**Tub:** The tub is constructed of cold rolled steel with silver powder-coat finish standard. Tub forms a flange to cover cut edges of wallboard material. Fire-resistant material is attached to the exterior of the tub.

**Fire-Rating:** Fire-FX2™ cabinets are fabricated in accordance with the UL label for one and two hour combustibile and non-combustibile wall system building codes. The fire testing has met the requirement of ANSI/UL 1479 (ASTM -E814) and ULC/CAN S115-for membrane and penetration firestops. Installation instructions must be strictly adhered to in order to obtain the fire rating.



1024HV10FX2

**STEP 1: SELECT MODEL NUMBER AND QUANTITY ON CHART** (refer to chart on pg 2)

**STEP 2: SELECT DOOR STYLE WITH HANDLE**

Check one box below Examples on Page 2

- |  |   |
|--|---|
| <input type="checkbox"/> <b>F</b> Full Glazing in 1-1/4" wide Frame            | <input type="checkbox"/> <b>L22</b> Solid with SAF-T-LOK™                     |
| <input type="checkbox"/> <b>G</b> Full Glazing with SAF-T-LOK™ in 1-1/4" Frame | <input type="checkbox"/> <b>L24</b> Sold with Cylinder Lock - No Handle       |
| <input type="checkbox"/> <b>D</b> Horizontal Duo Panel                         | <input type="checkbox"/> <b>V</b> Vertical Duo                                |
| <input type="checkbox"/> <b>E</b> Horizontal Duo Panel with SAF-T-LOK™         | <input type="checkbox"/> <b>W</b> Vertical Duo with SAF-T-LOK™                |
| <input type="checkbox"/> <b>S21</b> Solid Door                                 | <input type="checkbox"/> <b>B</b> Solid with 2" x 4" View Window & SAF-T-LOK™ |

**STEP 3: SELECT DOOR GLAZING**


(Check one box below)

- |  |   |   |
|--|---|---|
| <input type="checkbox"/> <b>10</b> Clear Acrylic               | <input type="checkbox"/> <b>15</b> Bronze Acrylic | <input type="checkbox"/> <b>17</b> Clear Tempered Glass   |
| <input type="checkbox"/> <b>13</b> Wire Glass with Safety Film | <input type="checkbox"/> <b>16</b> Gray Acrylic   | <input type="checkbox"/> <b>18</b> Laminated Safety Glass |

**STEP 4: OPTIONAL FEATURES AT ADDED COST (SELECT ANY)**

- |   |   |   |   |
|---|---|---|---|
| <input type="checkbox"/> Futura "Fire" Pull ___ Mill Alum ___ Red ___ White                   | <input type="checkbox"/> Black Vertical FE Letters <b>LDCVBFE</b>   | <input type="checkbox"/> Black Vertical Decal <b>LDVBFE</b>   | <input type="checkbox"/> <b>(CA)</b> Commander Alarm  |
| <input type="checkbox"/> Flush Recessed Pull Handle <b>(PRH)</b>                              | <input type="checkbox"/> Red Vertical FE Letters <b>LDCVRFE</b>     | <input type="checkbox"/> Red Vertical Decal <b>LDVRFE</b>     | <input type="checkbox"/> <b>(BA)</b> Brigadier Alarm  |
| <input type="checkbox"/> Polished Chrome Handle <b>(PUCH)</b>                                 | <input type="checkbox"/> White Vertical FE Letters <b>LDCVWFE</b>   | <input type="checkbox"/> White Vertical Decal <b>LDVWFE</b>   | <input type="checkbox"/> Etched or Engraved Lettering in Glass or Metal -. Attach Separate Submittal with Details |
| <input type="checkbox"/> Optional Anodized Color Finish: Dark Bronze (pulls painted to match) | <input type="checkbox"/> Black Horizontal FE Letters <b>LDCHBFE</b> | <input type="checkbox"/> Black Horizontal Decal <b>LDHBFE</b> |   |
|   | <input type="checkbox"/> Red Horizontal FE Letters <b>LDCHRFE</b>   | <input type="checkbox"/> Red Horizontal Decal <b>LDHRFE</b>   |   |
|   | <input type="checkbox"/> White Horizontal FE Letters <b>LDCHWFE</b> | <input type="checkbox"/> White Horizontal Decal <b>LDHWFE</b> |   |

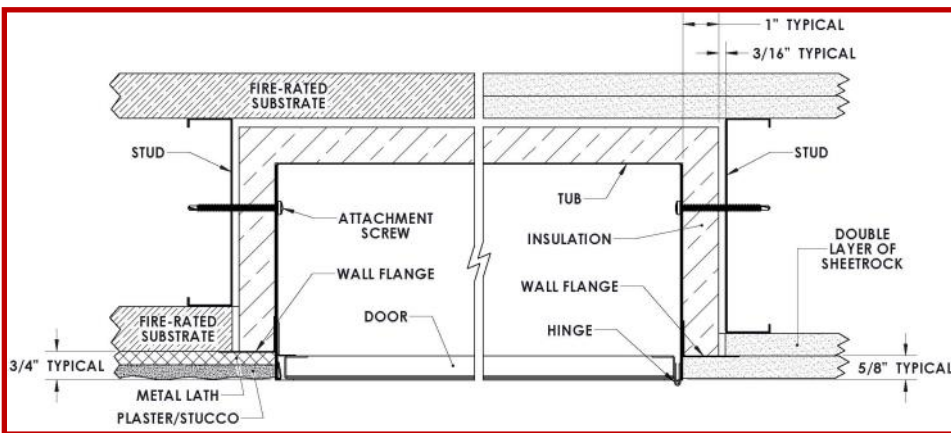
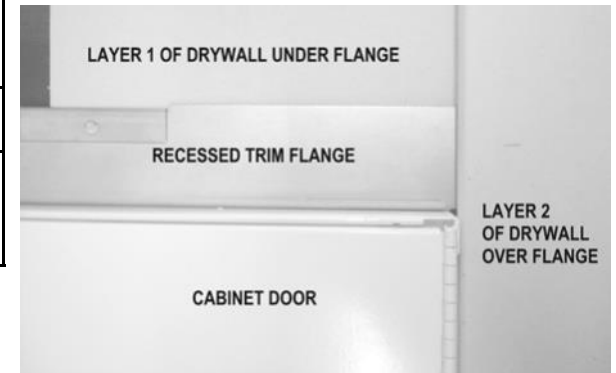
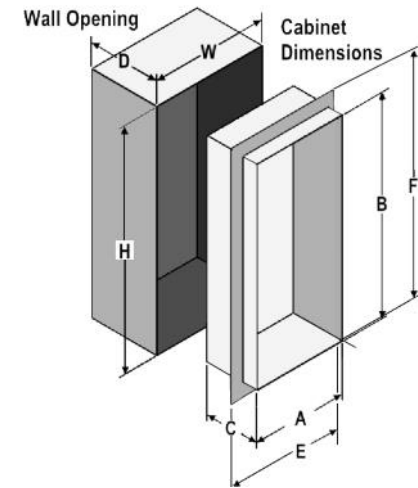
**For More Information on Options See Website**

 <p><b>AMBASSADOR™ IS A TRADEMARK OF ACPG</b>  <b>DOWNLOAD CURRENT SUBMITTAL BEFORE ORDERING</b></p>	Distributor:	Quantity:
	Contractor:	Approved By:
	Model #:	Architect:
	Project:	Date:

**HEADQUARTERS:** 9702 NEWTON AV S, BLOOMINGTON, MN 55431 **PH:** 800-554-6077 **EMAIL:** SALES@ACTIVARCPG.COM WWW.ACTIVARCPG.COM  
**MANUFACTURING:** BLOOMINGTON MN & COMMERCE, CA • **WAREHOUSES:** MANY LOCATIONS NATIONWIDE 6/3/20

TRIM & DOOR SERIES #			Tub I.D.			Frame O.D.		Wall Opening			FITS FIRE EXTINGUISHERS
QTY	Model	Trim Style	A Width	B Height	C Depth	E Width	F Height	W Width	H Height	D Depth	
<b>TRIMLESS CABINET WITH RECESSED FLANGE FOR INSTALLATION OF 5/8" DRYWALL OVER AND UNDER TRIM</b> Example of Part # 1024HF10FX2											
	8124H_FX2	Trimless • Drywall	9	18	5 1/2	12 1/8	21 1/8	11 5/16	20 5/16	6 3/16	Cosmic & Galaxy 2 1/2-6 (6lb must be mounted on cabinet tub), Mercury 2 1/2- 5
	1024H_FX2	Trimless • Drywall	10 1/2	24	6	13 5/8	27 1/8	12 13/16	26 5/16	6 11/16	Cosmic & Galaxy 2 1/2-10 Mercury 2 1/2-5, Sentinel 5
	2024H_FX2	Trimless • Drywall	12	27	7 3/4	15 1/8	30 1/8	14 5/16	29 5/16	8 7/16	Any Cosmic or Galaxy (20 lb must be mounted to back of tub), Mercury, Saturn or Grenadier P, Sentinel 5 & 10
<b>TRIMLESS CABINET WITH RECESSED FLANGE FOR INSTALLATION OF 3/4" PLASTER OVER TRIM</b> Example of Part # 8124DS21FX2											
	8124D_FX2	Trimless • Plaster	9	18	5 1/2	12 1/8	21 1/8	11 5/16	20 5/16	6 1/16	Cosmic & Galaxy 2 1/2-6 (6lb must be mounted on cabinet tub), Mercury 2 1/2- 5
	1024D_FX2	Trimless • Plaster	10 1/2	24	6	13 5/8	27 1/8	12 13/16	26 5/16	6 9/16	Cosmic & Galaxy 2 1/2-10 Mercury 2 1/2-5, Sentinel 5
	2024D_FX2	Trimless • Plaster	12	27	7 3/4	15 1/8	30 1/8	14 5/16	29 5/16	8 5/16	Any Cosmic or Galaxy (20 lb must be mounted to back of tub), Mercury, Saturn or Grenadier P, Sentinel 5 & 10

- Cabinets meet 4" ADA projection requirements.



3/4" PLASTER

5/8" DRYWALL

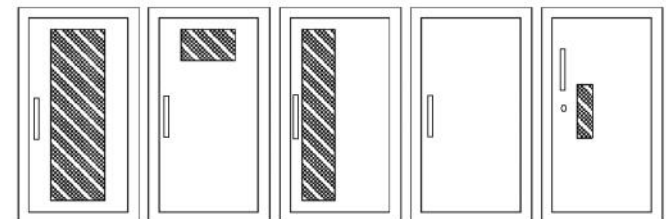
See Installation Instructions for Complete Details

**ADA Cabinet Mounting Height:**

Standard Pull on G, E, W, L22 and B Door Styles with Saf-T-Lok are 3 5/8" Higher than Door Center, so Allow for that When Mounting Cabinet.

Standard Pull with No Lock or Flush Pull are Centered on Door.

**DRYWALL INSTALLATION EXAMPLE**



F - Full glass with pull handle  
G - Full glass with pull handle and Saf-T-Lok (Not Shown)

D - Horizontal duo panel with pull handle  
E - Horizontal duo panel with pull handle and Saf-T-Lok. (Not Shown)

V - Vertical duo panel with pull handle  
W - Vertical duo panel with pull handle and Saf-T-Lok. (Not Shown)

S21 - Solid with pull handle  
L22 - Solid with pull handle and Saf-T-Lok  
L24 - Solid with cylinder key lock and no handle

B - Solid with pull handle, view window and Saf-T-Lok