

SUBMITTAL: EZ-Up LP-6 LADDER POST

The EZ-Up LP-6 ladder post provides easy and safe access through a roof hatch. The assembly permanently mounts to the roof hatch and acts as an extension to the ladder to enable users to safely enter and exit a roof access hatch.

After the user opens the roof hatch, the post is raised with one hand and self-locks into an upright position. The user can then safely climb from the ladder to the rooftop using the post for a hand hold. The post can be easily folded down into the stowed position.

Overall Dimensions: 34 5/8" x 1-1/2".

Construction: 1-1/2" x 1-1/2" 12 gauge square steel post attached by swivel bolt to welded 10 gauge steel plate mount.

Weight: 8 lbs.

Finish: Safety yellow powder-coated.

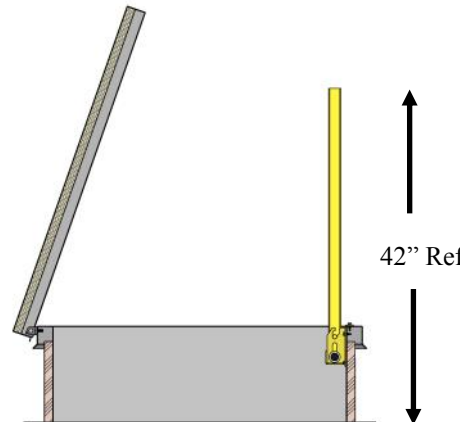
Mounting: Mounts to front inside of the curb with six self-tapping 3/8"-14 screws.

Notes: We recommend a Saf-T-Hatch rail system in addition to the EZ-Up LP-6 Safety Post for greater safety.

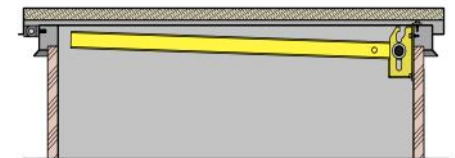
Testing: 200 lbs design load rating.




Post in Extended Position



Extended Position



Stowed Position

 ACTIVAR INC. CONSTRUCTION PRODUCTS GROUP	Distributor:	Quantity:
	Contractor:	Approved By:
	Model #: LP-6	Architect::
	Project:	Date:
HEADQUARTERS: 9702 NEWTON AV S, BLOOMINGTON, MN 55431 PH: 800-554-6077 FAX: 952-835-2218 EMAIL: SALES@ACTIVARCPG.COM WWW.ACTIVARCPG.COM MANUFACTURING: BLOOMINGTON MN & COMMERCE, CA • WARE HOUSES: FT MYERS FL, ATLANTA GA, DALLAS TX, SEATTLE WA, LANCASTER PA, FARGO ND, OMAHA NE 7/252016		