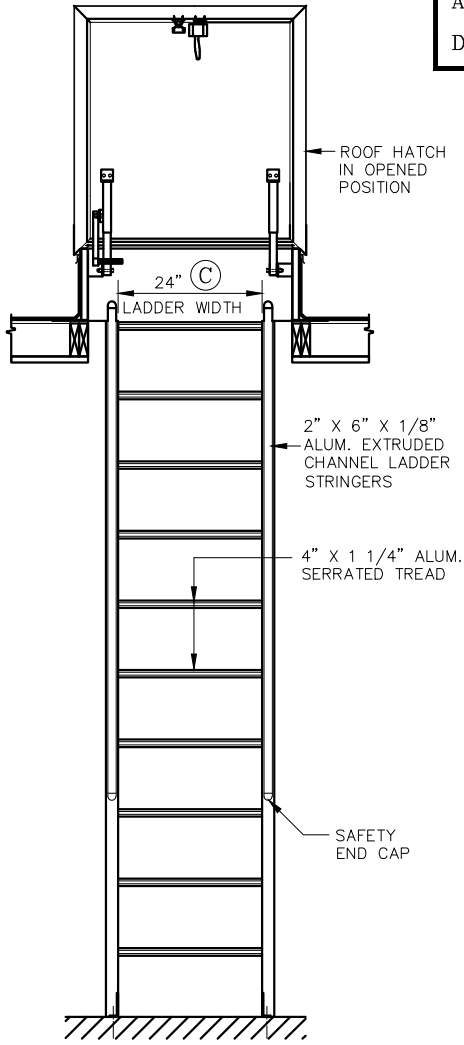


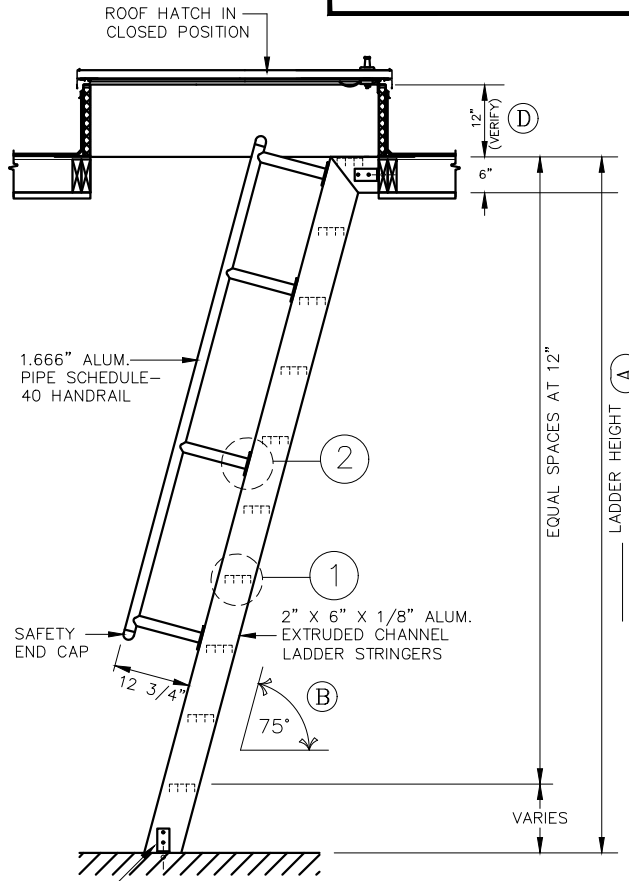
APPROVED BY: _____
 DATE _____

CONTRACTOR TO VERIFY:

(A) _____ LADDER HEIGHT
 (B) _____ LADDER ANGLE
 (C) _____ LADDER WIDTH
 (D) _____ ROOF HATCH BASE HEIGHT



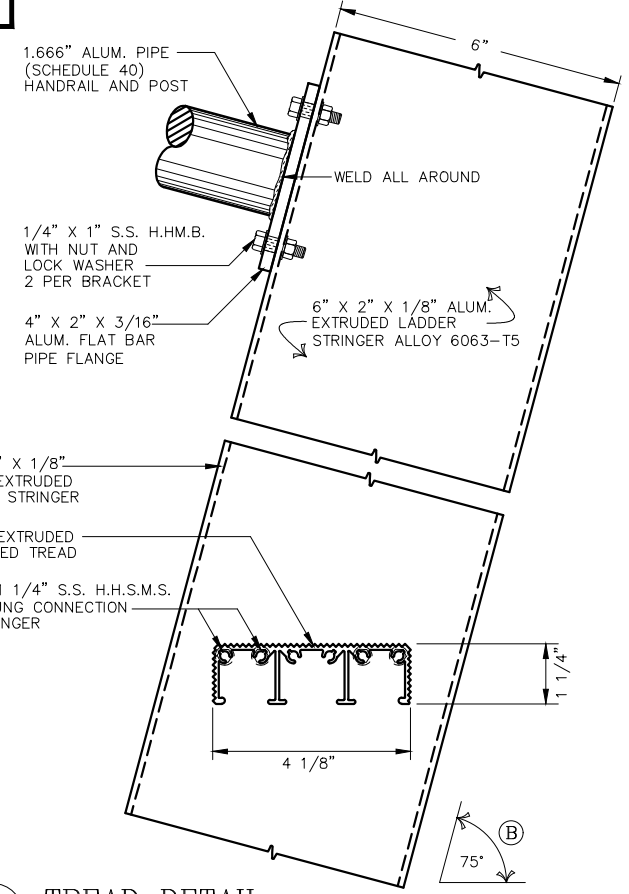
FRONT ELEVATION
N.T.S.



SIDE ELEVATION
N.T.S.

2" X 2" X 3/16" ALUM.
 ANGLE 4" LONG MOUNTING
 BRACKET 7/16" HOLE

2 POST DETAIL
3" = 1' - 0'



2 TREAD DETAIL
3" = 1' - 0'



O'KEEFFE'S, INC.

100 N. HILL DR. SUITE 12
 BRISBANE, CA 94005-1010

TEL: (888) 653-3333
 FAX: (888) 653-4444

ALUMINUM SHIP LADDER
ACCESS TO ROOF HATCH MODEL 523 75°

_____ QUANTITY

- | | |
|---|--|
| <input type="checkbox"/> MILL FINISH | <input type="checkbox"/> BRONZE ANODIZED |
| <input type="checkbox"/> POWDER COATING | <input type="checkbox"/> CLEAR ANODIZED |

SALE NO.

DRAWN :

DATE :

SHEET : _____ OF _____