

**CONTRACTOR TO VERIFY:**

(A1) \_\_\_\_\_ OVERALL LADDER HEIGHT

(A2) \_\_\_\_\_ LADDER HEIGHT

(B) \_\_\_\_\_ LADDER ANGLE

(C) \_\_\_\_\_ LADDER WIDTH

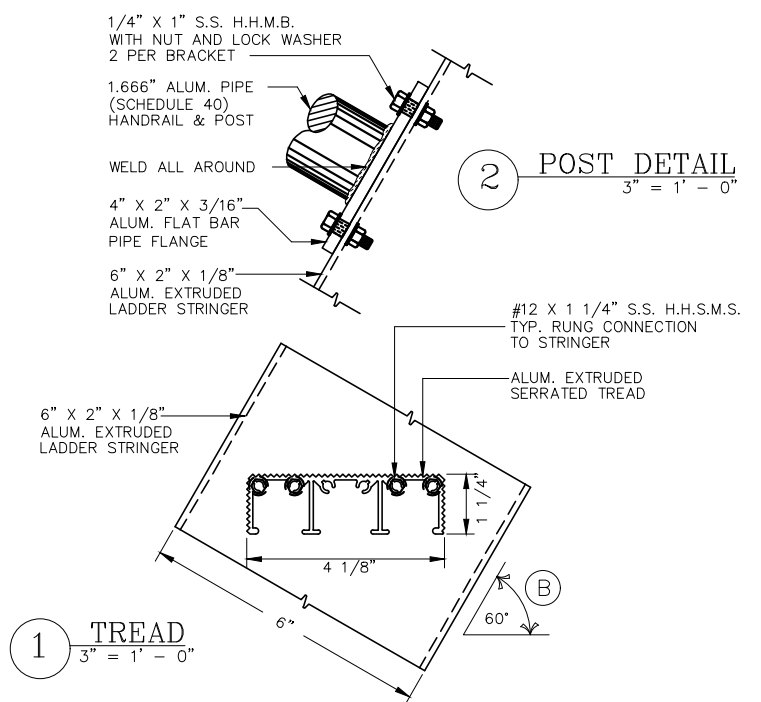
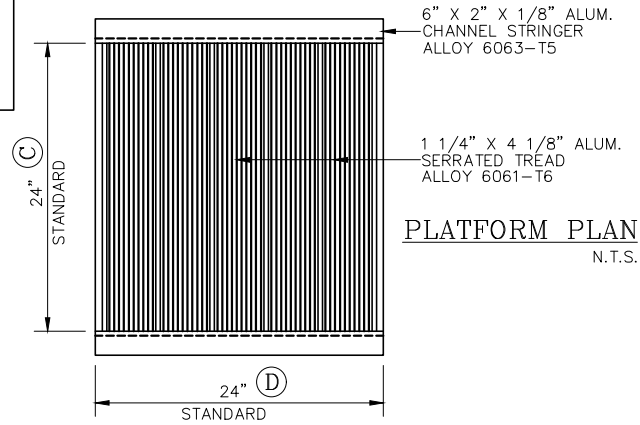
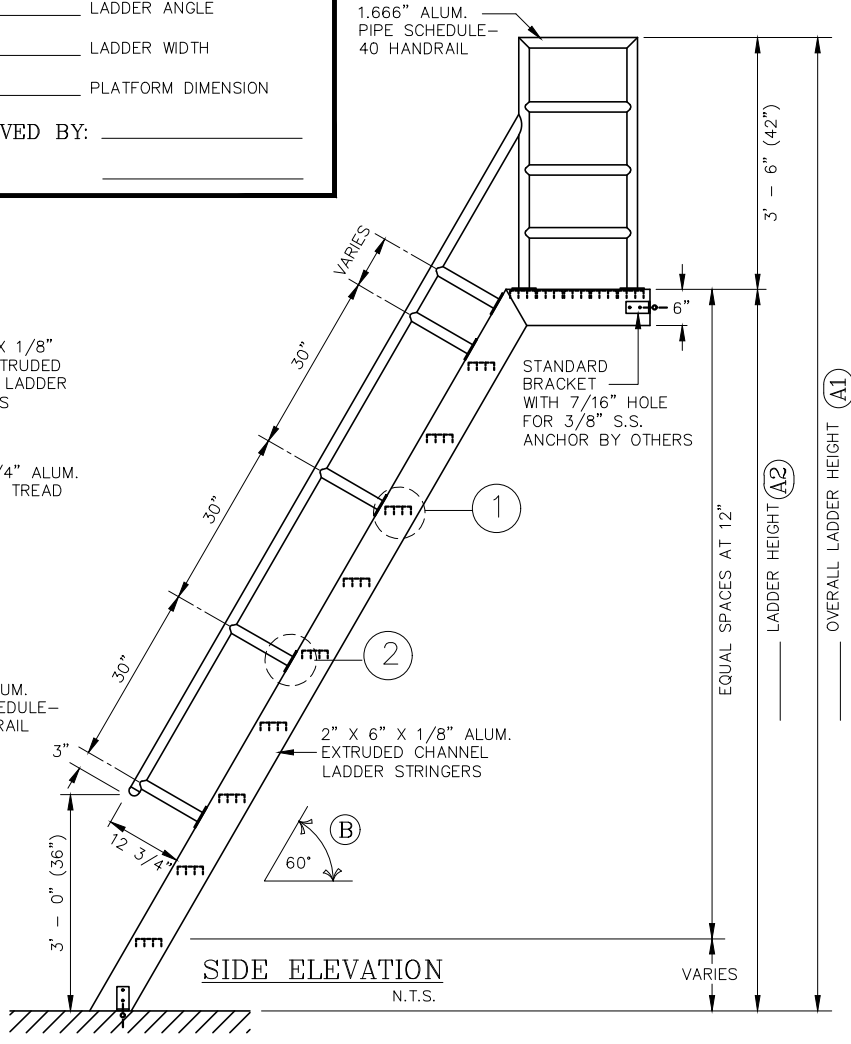
(D) \_\_\_\_\_ PLATFORM DIMENSION

APPROVED BY: \_\_\_\_\_

DATE \_\_\_\_\_

**NOTE:**

- \* ALL BOLTS/FASTENERS NECESSARY TO ANCHOR LADDER BY OTHERS
- \* PIPE HANDRAIL TO BE FIELD ASSEMBLED



**O'KEEFFE'S, INC.**

100 N. HILL DR. SUITE 12  
BRISBANE, CA 94005-1010

TEL: (888) 653-3333  
FAX: (888) 653-4444

**ALUMINUM SHIP LADDER WITH PLATFORM  
MODEL 521A WITH 60° ANGLE**

\_\_\_\_\_ QUANTITY

MILL FINISH       BRONZE ANODIZED

POWDER COATING       CLEAR ANODIZED

**SALE NO.**

DRAWN :

DATE :

SHEET : \_\_\_\_\_ OF \_\_\_\_\_