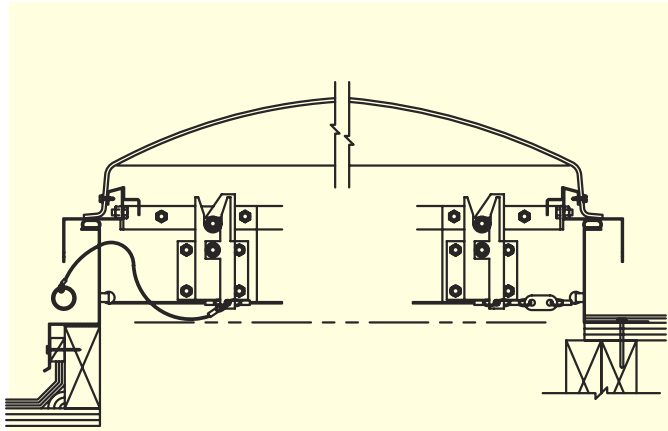


Bristolite's Industrial Skylights

Tri-Arch Steel Smoke Hatch Domes Model SSV

The Tri-Arch Steel Smoke Hatch Domes are manufactured with a cost saving galvanized steel material and provide for the additional requirement of emergency automatic heat and smoke venting. They incorporate all the necessary features to insure safe and reliable operation at a minimum cost.



Model SSV-CM- HS1-OR-MF

Model SSV-SF-HS1-OR-MF

Typical Self-Flashing and Curb Mount Details

Specifications: Tri-Arch Smoke Hatch Skylight shall be No. T_____ as manufactured by Bristolite Skylights, Santa Ana, Calif. The Smoke Vent shall be glazed with a plastic dome using Tri Tuff UL 972 listed material. The dome is attached to an operable frame. The operable frame is attached to the base frame with a hinge. The operable frame is compression loaded by torsion springs and secured on the opposite side with UL/FM listed fusible links. All frames to be fully welded for water tight integrity. The dome frame shall have a condensate gutter to weep moisture to the exterior. The base frame is fabricated of galvanized steel and shall be installed either on a 1-1/2" wide curb furnished by others or on its own 4" self-flashing curb fabricated from galvanized steel with a 2-3/4" roof flange. All units are guaranteed against defective workmanship and materials.

Standard Features Include:

1. **Curb-Mounted** (specify by adding **CM** to model description) or **Self-Flashing** (specify by adding **SF** to model description)
2. **Exterior Manual Outside Release** (specify by adding **OR** to model description) or **Interior Manual Release** (specify by adding **IR** to model description) (*select one*).
3. Fusible Link temperatures: 165°, 212°, 286°, or 360°

Options

1. **Exterior-Interior Manual Release** (specify by adding **OR/IR** to model description)
2. **Self-Flashing Bases of 9" or 12"** (specify by adding **9** or **12** to the end of the model description)
3. **Security Grills** (for specific information see our product information for Security Grills)
4. **Insulating Double Domes** (Specify by adding **AC** to the model description)

Model Description

SSV	Steel Smoke Hatch Dome
CM	Curb Mount Frame
SF	4" Self-Flashing Frame
HS1	White High Strength Tri Tuff Glazing
OR	Exterior Manual Release
MF	Mill Finish

Available Sizes

Model Number	Inside Curb Opening
T4848-SSV	48" x 48"
T4896-SSV	48" x 96"