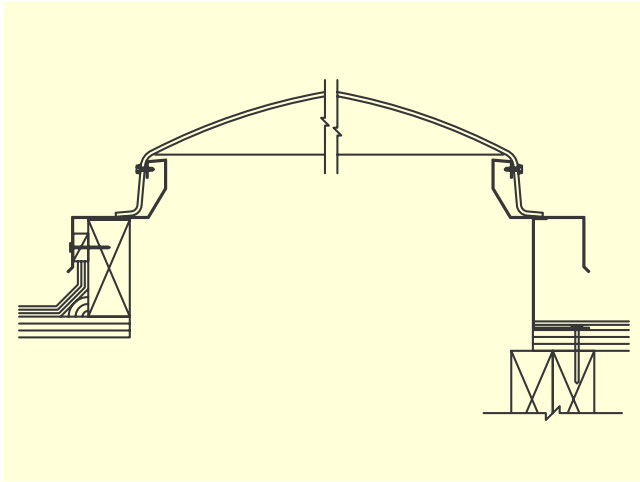


Bristolite's Industrial Skylights

Tri-Arch Fixed Steel Skylight Model SS

The Tri-Arch skylights are intended primarily for industrial applications. The Tri-Arch dome provides superior impact strength and light gathering properties and is a very cost effective solution to your project.



Model SS-CM- HS1-MF

Model SS-SF-HS1-MF

Typical Self-Flashing and Curb Mount Details



Specifications: Tri-Arch Skylight shall be No. T_____ as manufactured by Bristolite Skylights, Santa Ana, Calif. The skylight shall be glazed with a plastic dome using TriTuff UL972 listed material. The frame is fabricated of galvanized steel and shall be installed either on a 1½" wide curb furnished by others or on its own 4" high self-flashing curb fabricated from galvanized steel with a 2-3/4" roof flange. Materials are to be self-extinguishing Approved Plastic Rated CC-1. All units are guaranteed against defective workmanship and material.

Standard Features Include:

1. **Curb-Mounted** (specify by adding **CM** to model description) or **Self-Flashing** (specify by adding **SF** to model description)

Options

1. **Insulating Double Domes** (Specify by adding **AC** to the model description)
2. Self-Flashing **Base of 9" or 12"** (specify by adding **9** or **12** to the end of the model description)
3. **Security Grills** (for specific information see our product information for Security Grills)

Model Description

SS	Fixed Steel Tri Arch Skylight Dome
CM	Curb Mount Frame
SF	4" Self-Flashing Frame
HS1	White High Strength Tri-Tuff Glazing
MF	Mill Finish

Available Sizes

Model Number	Inside Curb Opening
T4848-SS	48" x 48"
T4896-SS	48" x 96"