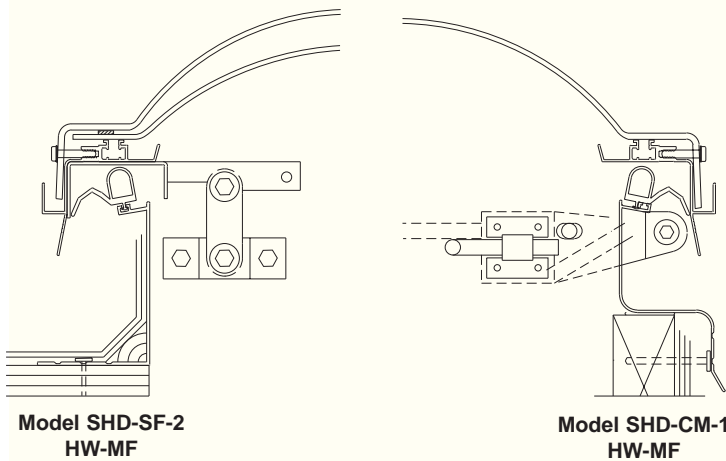


# Bristolite's Industrial Skylights

## Fiberglass Aluminum Framed Smoke Hatch Dome Model SHD

**B**ristolite's Smoke Hatch Domes provide for the additional requirement of emergency automatic heat and smoke venting. They incorporate all the necessary features to insure safe and reliable operation at a minimum cost.



Typical Self-Flashing and Curb Mount Details

**Specifications:** Smoke Hatch Domes shall be No. \_\_\_\_\_ as manufactured by Bristolite Skylights, Santa Ana, Calif. The fiberglass dome shall be a molded one-piece unit with integral counterflashing skirt to eliminate any dependence on gaskets, sealants or flow-through designs. The Fiberglass shall consist of neopentyl glycol isothalic gelcoat laminate with an acrylic modified polyester based resin and silene glass fiber. The dome is attached to an operable frame fabricated of aluminum. The operable frame is attached to the base frame with a hinge. The operable frame is compression loaded by torsion bars and secured on the opposite side by a latch system operated with a UL Listed and FM approved fusible link. The base frame is fabricated of 6063-T5 aluminum and shall be installed either on a 1-1/2" wide curb furnished by others or on its own 4" self-flashing curb fabricated from 6063-T5 aluminum with a 2-3/4" roof flange. Materials are to be self-extinguishing Approved Plastic Rated CC-1. All units are guaranteed against defective workmanship and materials.

### Standard Features Include:

1. **\*Fall Protection** - Has been tested to current OSHA regulations for Fall Protection Systems Criteria and Practices (1926.502)
2. **Leakproof** - 10 Year Leakproof Warranty
3. **High Wind Resistance** - Can withstand high wind conditions
4. **Curb-Mounted** (specify by adding **CM** to model description) or **Self-Flashing** (specify by adding **SF** to model description)
5. **Fusible link temperatures:** 165°, 212°, 286°, or 360°

### Options:

1. **Double Dome** (specify by adding **2** to model description)
2. **Exterior Manual Release** (specify by adding **M1** to model description)
3. **Interior Manual Release** (specify by adding **M2** to model description)
4. **Exterior-Interior Manual Release** (specify by adding **M3** to model description)
5. **Self Flashing Bases of 9" or 12"** (specify by adding **9** or **12** to the end of the model description)
6. **Insulated Self-Flashing Base** (specify by adding **INS** to model description)
7. **Wood Nailer** (specify by adding **WN** to model description)
8. **Security Grills** (for specific information see our product information for Security Grills)

\*Fall Protection Testing has been performed on 4x8 domes.

### Model Description

<b>SHD</b>	Aluminum Smoke Hatch Dome
<b>CM</b>	Curb Mount Frame
<b>SF</b>	Self-Flashing Frame
<b>1</b>	Single Non-Insulated Dome
<b>FTH</b>	Fiberglass Translucent High
<b>HW</b>	High Wind Resistant
<b>MF</b>	Mill finish

### Available Sizes

Model Number	Inside Curb Opening
4848-SHD	48" x 48"
4896-SHD	48" x 96"