

Bristolite's Industrial Skylights

Hurricane Resistant Skylight Model HRS

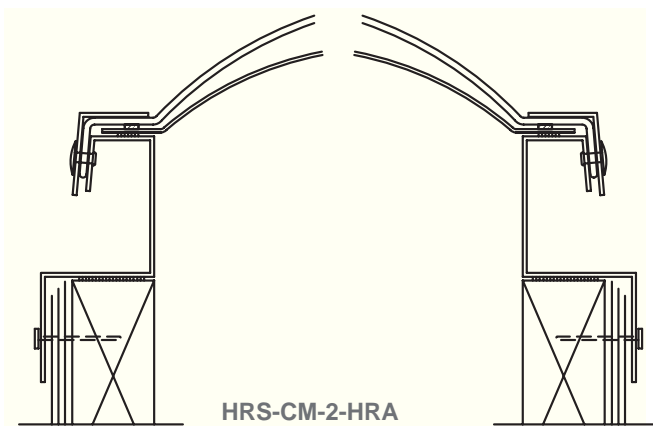
Bristolite Skylights' Hurricane Resistant Skylights are designed to meet the tough hurricane impact resistant requirements of the South Florida Building Code.

The widespread destruction of Hurricane Andrew has resulted in considerable effort to improve the survival of both human life as well as property. South Florida has developed and implemented a stringent testing and product certification program to minimize damage resulting from windborne debris. Product certification requires that the glazing system pass both impact and cycling tests.

Bristolite Skylight's HRS skylight has met the Hurricane Resistance Requirements of Miami Dade County Protocol PA 201, PA 202, PA 203 and SBCCI SSTD 12-99.



Specifications: Hurricane Resistant Skylights shall be No. _____ as manufactured by Bristolite Skylights, Santa Ana, Calif. Bristolite's HRS (Hurricane Resistant Skylight) series has successfully passed the Metro-Dade County Test Protocol PA 201, PA 202, PA 203 and SBCCI SSTD 12-99 with no deviations. The curb frame and retainer caps are fabricated of 14 gauge G90 Galvanized Steel material. The dome material is fabricated of a nominal 1/4" thick impact modified acrylic. The tests listed above include a large missile impact test, along with positive and negative cyclic load tests. In addition the units were subjected to uniform static load tests with +50 and -75 psf design pressures.



Typical Curb Mount Detail

Miami-Dade County Hurricane Resistant Test Criteria Requirements

| | |
|--|---|
| PA 201 | Large missile impact test procedure |
| PA202 | Air-leakage, water penetration, uniform load test procedures |
| PA203 | Cyclic wind pressure loading |
| SBCCI, SSTD 12-99 | Test standard for determining impact resistance from windborne debris |
| Product certification requires that the glazing system pass both impact and cycling tests. | |

Model Description

| | |
|-----|------------------------------|
| HRS | Hurricane Resistant Skylight |
| CM | Curb-Mount |
| 2 | Insulated Double Dome |
| HRA | Impact Resistant Acrylic |

Available Sizes

| Model Number | Inside Curb Opening |
|--------------|---------------------|
| HRS-4896 | 48" x 96" |
| HRS-6072 | 60" x 72" |

The type of impact test depends on the height of the glazing in the structure. Below 30 feet, the test involves two impacts by a 9 pound 2x4, 8 foot long wooden timber shot from an air cannon at 50 feet per second. Above 30 feet, the glazing system is impacted three times by 10 steel ball bearings each weighing 2 grams. Following the impact test, the glazing system undergoes air pressure cycling. It receives 4,500 positive and 4,500 negative cycles. The glazing system as a whole must survive; this includes the acrylic and skylight frame.