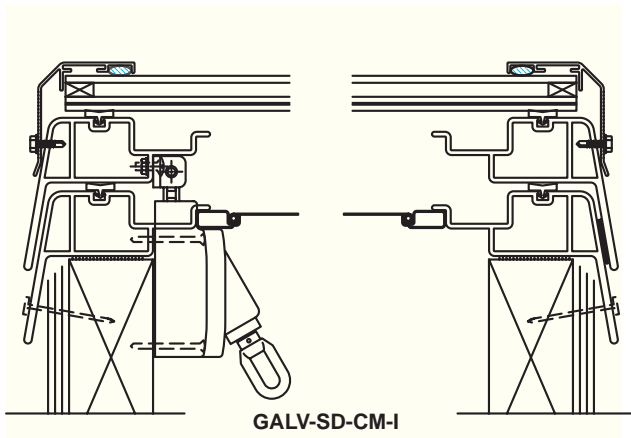


# Bristolite's Residential Skylights

## Thermally Broken Flat Glass PVC Vinyl Base Curb Mount Skylights Model GALV-SD

**B**ristolite's thermally broken Alumi-lite® insulated glass skylights features the energy efficiency of an extruded PVC base for extreme climates. The PVC base prevents the transfer of heat and cold into the room and incorporates a generous condensation channel for high humidity areas. These models are available fixed or manually operable (as shown on this page). For information on the fixed model please see page two.



GALV-SD-CM-I

Typical Curb Mount Detail

**Specifications:** Skylight shall be model No. \_\_\_\_\_ as manufactured by Bristolite Skylights, Santa Ana, Calif. Skylights shall be fully factory assembled consisting of glass (see below) that is sealed by interior and exterior gasketing to an operable frame fabricated of extruded PVC. The retaining cap shall be fabricated of bronze anodize aluminum and the retaining cap fasteners are to be corrosive resistant. The operable frame is attached to the base frame with a pivot hinge. The skylight is lifted by a lifting mechanism with a removable 5' handle. The base frame shall be impact resistant extruded PVC to prevent thermal losses through the frame and the formation of condensation on its interior surface. All operable units have insect screens and full perimeter gasketing around the PVC base. The skylight shall be installed on a 1-1/2" wide curb furnished by others. All units are to be guaranteed against defective workmanship and materials. The insulated glass shall be 5/8" overall Tempered over laminated. The standard glass colors shall be Clear, Bronze or Grey. Low-E Glass or White Laminated glass is optional.

(For Specifications on the fixed model please see page two.)

### Standard Features Include:

1. Curb Mount (specify by adding **CM** to model description)
2. Bronze Anodize Retaining Cap (Specify by adding **BC** to the model description)
3. Standard Glass Colors:  
Bronze (specify by adding **TB** to model description)  
Grey (specify by adding **TG** to model description)  
Clear Colorless (specify by adding **TC** to model description)
4. 5' Operating Pole

### Options

1. Low-E Glass: (specify by adding **LE** to model description)
2. White Laminated Glass (specify by adding **LW** to model description)
2. 32" Extension for the 5' Operating Pole (specify by adding **H-32** to model description)

### Glass Make-Up

- 5/8" thick Overall
- 1/8" Tempered
- 1/4" Air Space
- 1/4" Laminated

### Model Description

GALV-SD	Operable Glass Unit with PVC Base
CM	Curb-Mounted
I	Insulated Glass (specify tint)

### Available Sizes Operable Units

Model Number	Curb Opening Inside Dimensions
2222-ALV-SD	22 1/4" x 22 1/4"
2230-ALV-SD	22 1/4" x 30 1/4"
3030-ALV-SD	30 1/4" x 30 1/4"
1446-ALV-SD	14 1/4" x 46 1/4"
2246-ALV-SD	22 1/4" x 46 1/4"
3046-ALV-SD	30 1/4" x 46 1/4"

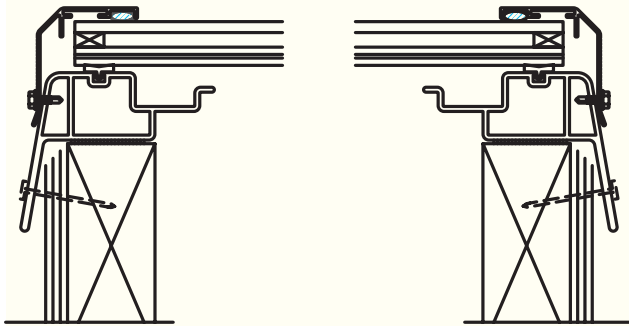
installations.

The curb-mount models are available for use on any type of roof and are designed especially for a steep pitch roof and roofs covered with tile, wood shakes or similarly thick roofing material with a minimum 3:12 pitch.

**Self-Flashing is not available in this model.**

# Bristolite's Residential Skylights

## Thermally Broken Flat Glass PVC Vinyl Base Curb Mount Fixed Skylight Model GALV



GALV-CM-I

Typical Curb Mount Detail

**Specifications:** Skylight shall be model No. \_\_\_\_\_ as manufactured by Bristolite Skylights, Santa Ana, Calif. Skylights shall be fully factory assembled consisting of glass (see below) that is sealed by interior and exterior gasketing to an extruded PVC frame to prevent thermal losses through the frame and the formation of condensation on its interior surface. The retaining cap shall be fabricated of 6063-T6 bronze anodize aluminum and the retaining cap fasteners are to be corrosive resistant. The skylight shall be installed on a 1-1/2" wide curb furnished by others. All units are to be guaranteed against defective workmanship and materials. The insulated glass shall be 5/8" overall Tempered over laminated. The standard glass colors shall be Clear, Bronze or Grey. Low-E Glass or White Laminated glass is optional.

### Standard Features Include:

1. **Curb Mount** (specify by adding **CM** to model description)
2. **Bronze Anodize Retaining Cap** (Specify by adding **BC** to the model description)
3. **Standard Glass Colors:**  
Bronze (specify by adding **TB** to model description)  
Grey (specify by adding **TG** to model description)  
Clear Colorless (specify by adding **TC** to model description)

### Options

1. **Low-E Glass:** (specify by adding **LE** to model description)
2. **White Laminated Glass** (specify by adding **LW** to model description)

### Glass Make-Up

5/8" thick Overall  
1/8" Tempered  
1/4" Air Space  
1/4" Laminated

### Model Description

<b>GALV</b>	Fixed Glass Unit with PVC Base
<b>CM</b>	Curb-Mounted
<b>I</b>	Insulated Glass (specify tint)

### Available Sizes Fixed Units

Model Number	Curb Opening Inside Dimension
2222-ALV	22 1/4" x 22 1/4"
2230-ALV	22 1/4" x 30 1/4"
3030-ALV	30 1/4" x 30 1/4"
1446-ALV	14 1/4" x 46 1/4"
2246-ALV	22 1/4" x 46 1/4"
3046-ALV	30 1/4" x 46 1/4"
2272-ALV	22 1/4" x 72"

The curb-mount models are available for use on any type of roof and are designed especially for a steep pitch roofs and roofs covered with tile, wood shakes or similarly thick roofing material with a **minimum 3:12 pitch**.

**Self Flashing is not available in this model.**