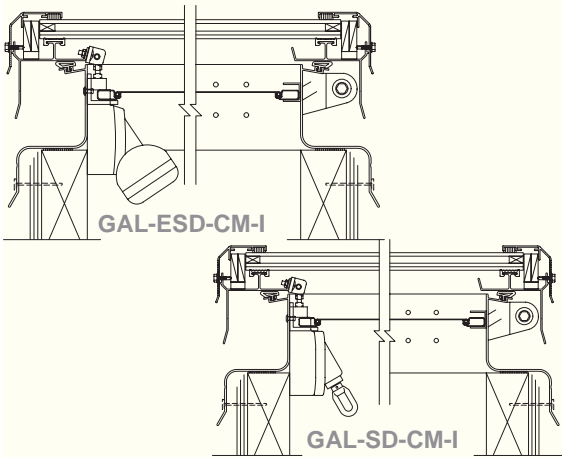


Bristolite's Residential Skylights

Flat Glass Manual & Electric Operable Models GAL-SD and GAL-ESD

Bristolite's openable Flat Glass Skylight is a low profile affordable glass skylight which can be ordered as manual openable or electric openable.



Specifications: Skylight shall be model No. _____ as manufactured by Bristolite Skylights, Santa Ana, Calif. Skylights shall be fully factory assembled consisting of glass (see below) that is sealed by interior and exterior gasketing to an operable frame fabricated of aluminum. The operable frame is to have an integral condensation channel to carry moisture to the exterior. The retaining cap shall be fabricated of aluminum and the retaining cap fasteners are to be corrosive resistant. The operable frame is attached to the base frame with a pivot hinge. The operable frame is lifted by a lifting mechanism with a removable 5' handle or an electrically operated mechanism available with a remote switch. The base frame shall be 6063-T5 heliarc welded aluminum. All units have insect screens and full perimeter gasketing around the base. The curb-mount base frame shall be installed on a 1-1/2" wide curb by others. All units are to be guaranteed against defective workmanship and materials. The insulated glass shall be 5/8" overall Tempered over Laminated, 15/16" overall Tempered over Laminated, or 1" overall Tempered over Laminated. The standard glass colors shall be Clear, Bronze or Grey. Low-E Glass or White Laminated glass is optional.

Typical Curb Mount Detail

Standard Features Include:

1. Curb Mount (specify by adding **CM** to model description)
2. Standard Glass Colors:
Bronze (specify by adding **TB** to model description)
Grey (specify by adding **TG** to model description)
Clear colorless (specify by adding **TC** to model description)
3. Insect Screen
4. 5' Operating Pole for Manual Operable

Options

1. Bronze Anodize Frame (specify by adding **BA** to model description.)
2. White Painted Frame (specify by adding **WP** to model description.)
3. Low-E Glass: (specify by adding **LE** to model description.)
4. White Laminated Glass: (specify by adding **LW** to model description.)
5. 32" extension for the 5' Operating Pole (**H-32**)

Glass Make-Up

Type A: 5/8" Thick Overall
1/8" Tempered, 1/4" Air Space, 1/4" Laminated
Type B: 15/16" Thick Overall
1/8" Tempered, 3/8" Air Space, 7/16" Laminated
Type B-1: 1" Thick Overall
3/16" Tempered, 3/8" Air Space, 7/16" Laminated

Model Description

| | |
|----------------|--------------------------------|
| GAL-SD | Flat Glass Manual Operable |
| GAL-ESD | Flat Glass Electric Operable |
| CM | Curb Mount Frame |
| I | Insulated Glass (specify tint) |
| MF | Mill Finish Frame |

Minimum pitch of 3:12 is required for all flat glass models.

Available Sizes

| Model Number GAL | Inside Curb Opening | # Of Lites | Glass Type | Model Number GAL | Inside Curb Opening | # Of Lites | Glass Type |
|---------------------|---------------------|------------|------------|---------------------|---------------------|------------|------------|
| Square | | | | Rectangle | | | |
| 1414 | 14 1/4" x 14 1/4" | 1 | A | 1422 | 14 1/4" x 22 1/4" | 1 | A |
| 1919 | 19" x 19" | 1 | A | 1446 | 14 1/4" x 46 1/4" | 1 | A |
| 2222 | 22 1/4" x 22 1/4" | 1 | A | 2237 | 22 1/4" x 37" | 1 | A |
| 3030 | 30 1/4" x 30 1/4" | 1 | A | 2246 | 22 1/4" x 46 1/4" | 1 | A |
| 3737 | 37" x 37" | 1 | A | 2272 | 22 1/4" x 72" | 1 | A |
| 4242 | 42" x 42" | 2 | A | 2296 | 22 1/4" x 96" | 1 | B-1 |
| 4646 | 46 1/4" x 46 1/4" | 2 | A | 3037 | 30 1/4" x 37" | 1 | A |
| | | | | 3046 | 30 1/4" x 46 1/4" | 1 | A |
| | | | | 3069 | 30 1/4" x 69 1/2" | 1 | B |
| | | | | 3096 | 30 1/4" x 96" | 1 | B-1 |
| | | | | 3746 | 37" x 46 1/4" | 1 | B |
| | | | | 3775 | 37" x 75" | 1 | B |
| | | | | 3859 | 38" x 59" | 1 | B |