



State-of-the-Art Daylight Fixture by Bristolite®



Leak Proof

Fall Safe

Optimum Light

Optimum Diffusion

A "Daylight System" by Bristolite reduces expensive demand charges and reduces costly peak kilowatt-hour usage by saving energy during the most expensive hours of the day.

An important independent, scientific study has now verified the positive effects of daylight on decreased energy consumption, increased employee efficiency, increased retail sales and improved student performance.

Bristolite makes the broadest range of standard products, plus products specifically designed to be energy efficient and trouble free. This places us in the unique position to recommend the best product for your application. *When you need an objective opinion on skylights, call the people for whom objectivity is...just good business.*

THE ONE BASIC TRUTH ABOUT SKYLIGHTS IS THAT NO SINGLE MATERIAL IS BEST FOR ALL APPLICATIONS AND MATERIALS USED IN STANDARD SKYLIGHTS FALL FAR SHORT OF OPTIMUM EFFICIENCY AND PROTECTION FOR THE CUSTOMER.



Features of the Energy Star

Unique Leakage Protection

The one-piece leak proof construction has been specifically designed so that it cannot leak and carries a 10 year leak proof warranty.

Optimum Light Transmission

The Energy Star daylight fixture is designed with the optimum light transmission to obtain maximum efficiency without creating offensive glare.

Even Light Distribution

The Energy Star material consists of special diffusers which eliminate hot spots and glare under the units and produces the optimum light pattern for efficient light with the fewest units.

Solar Heat Shielding (cooler light)

The uniquely efficient shading coefficient can only be matched by resorting to significantly darker materials resulting in less light in the building.

Safety Protection

Provides more safety and security. The Energy Star has been tested to current OSHA Regulations for Fall Protection Systems Criteria and Practices (1926.502)*.

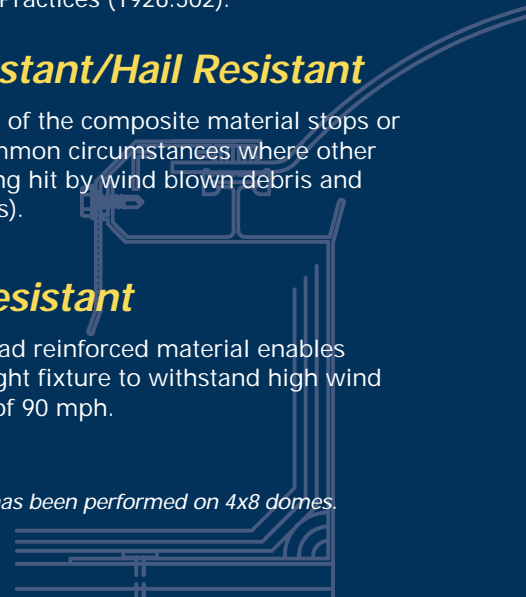
Damage Resistant/Hail Resistant

The superior strength of the composite material stops or limits damage on common circumstances where other materials fail (i.e. being hit by wind blown debris and particularly hailstorms).

High Wind Resistant

The molded acrylic-clad reinforced material enables the Energy Star daylight fixture to withstand high wind conditions in excess of 90 mph.

* Fall Protection Testing has been performed on 4x8 domes.





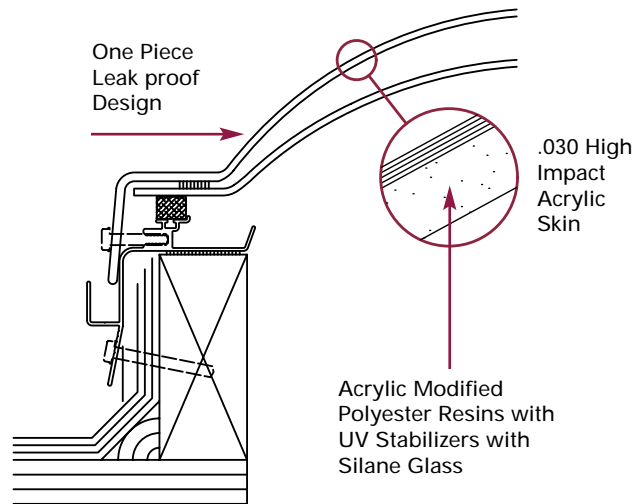
The Energy Star Design

High Tech Lighting Properties · Solar Heat Shielding · Leak Proof · Strong · Long Lasting

The Energy Star dome is available in any of our standard industrial models **4848, 4896 and 6072**. To specify, use the model description "ES" with any of the desired industrial skylight model numbers, or call our Sales Department at: **714.540.8950 or 800.854.8618**

Energy Star Product Specifications

Skylight domes shall be an acrylic clad/fiberglass reinforced Energy Star as manufactured by Bristolite Skylights, Santa Ana, Calif. It shall be made of acrylic and acrylic modified polyester resin with UV light stabilizers and silane glass fibers. It shall be completely molded into an impact resistant, one-piece, leak-proof design, eliminating the need for seals and gaskets. The units are to be attached to either corrosive-resistant galvanized steel or a 6063 alloy extruded aluminum frame through use of corrosive-resistant fasteners. The skylight shall be warranted for ten years against leakage.



Bristolite's composite Acrylic Clad/Reinforced Resin Dome means the ultimate in weatherability, high light transmission, low heat, and high strength.



Bristolite® Skylights

401 E. Goetz Avenue
P.O. Box 2515
Santa Ana, California 92707
714.540.8950 1.800.854.8618
Fax 714.540.5415
sales@bristolite.com
www.bristolite.com

A Few Of Our Satisfied Customers

- | | | |
|--------------------|------------------|---------------------|
| Chevron USA | Lowe's | Sears |
| Costco | Mattel | Sherwin Williams |
| Federal Express | Mercedes Benz | Smart N Final |
| Food-4-Less | Monsanto | Target |
| Flemings Foods | Nordstroms | Toyota |
| Frito-Lay | Parker Hannifan | U.S. Postal Service |
| Georgia Pacific | Procter & Gamble | Walmart |
| Gillette Papermate | Ralphs | Western Electric |
| Home Depot | Safeway | Winco Foods |
| Longs Drugs | | |