

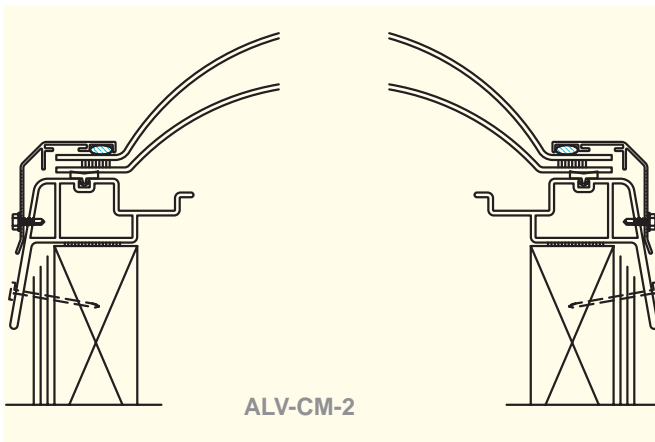
Bristolite's Residential Skylights

Thermally Broken Acrylic Dome PVC Vinyl Base Curb Mount Skylights Model ALV

Bristolite's thermally broken Alumi-lite® skylight features the energy efficiency of an extruded PVC base for extreme climates. The PVC base prevents the transfer of heat and cold into the room and incorporates a generous condensation channel for high humidity areas. These models are available fixed (as shown) or manually openable. Openable



Low Profile Fixed Model



Typical Curb Mount Detail

Specifications: Skylight dome shall be model No. ____ as manufactured by Bristolite Skylights, Santa Ana, Calif. Skylights shall be fully factory assembled consisting of a cast acrylic double dome with a CC-2 Classification. The dome is sealed by interior and exterior gasketing to a base frame fabricated from extruded PVC to prevent thermal losses through the frame and the formation of condensation on its interior surface. The retaining cap shall be fabricated of bronze anodize aluminum and the retaining cap fasteners are to be corrosive resistant. The skylight shall be installed on a 1-1/2" wide curb furnished by others. All units are to be guaranteed against defective workmanship and materials.

(For the openable unit specifications see page two)

Standard Features Include:

1. **Curb Mount** (specify by adding **CM** to model description)
2. **Double Dome** (specify by adding **2** to model description.)
3. **Bronze Anodize Cap Frame** (specify by adding **BC** to model description)
4. **Six Acrylic Color Choices**
High White Translucent (specify by adding **WTH** to model description)
Medium White Translucent (specify by adding **WTM** to model description)
Low White Translucent (Specify by adding **WTL** to model description.)
Bronze (specify by adding **BT** to model description)
Grey (specify by adding **GT** to model description)
Clear Colorless (specify by adding **CC** to model description)

Options

1. **Triple Dome** (specify by adding **3** to model description)
2. **Low profile Dome**-available in WTM, BT or CC **only** (specify by adding **LP** to mode description.)
4. **Pyramid Shaped Dome**-(*selected sizes*) (Specify by adding **P** to model description)

Model Description

ALV	Fixed thermally broken Alumi-lite with PVC Base
CM	Curb-Mounted
2	Double Dome (Specify Acrylic Color)

Available Sizes Fixed Units

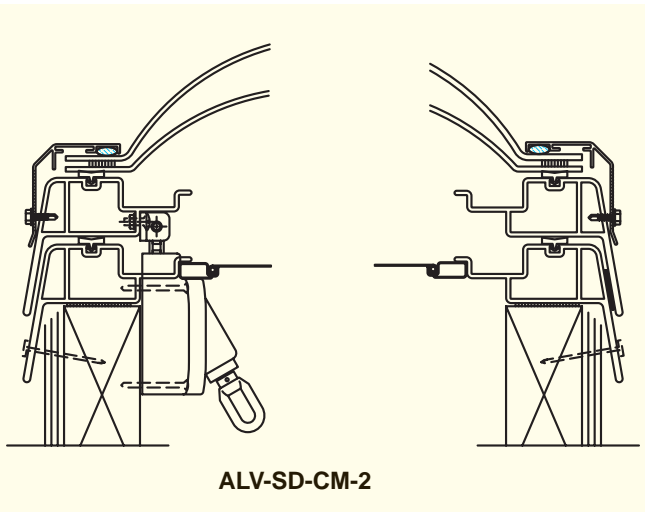
Model Number	Curb Opening Inside Dimension
2222-ALV	22 1/4" x 22 1/4"
2230-ALV	22 1/4" x 30 1/4"
3030-ALV	30 1/4" x 30 1/4"
1446-ALV	14 1/4" x 46 1/4"
2246-ALV	22 1/4" x 46 1/4"
3046-ALV	30 1/4" x 46 1/4"
4646-ALV	46 1/4" x 46 1/2"
2272-ALV	22 1/4" x 72"

The curb-mount models are available for use on any type of roof and are designed especially for a steep pitch roof and roofs covered with tile, wood shakes or similarly thick roofing material.

Self-Flashing is not available in these models

Bristolite's Residential Skylights

Thermally Broken Acrylic Dome Openable Curb Mount Skylights with PVC Base Model ALV-SD



Typical Curb Mount Detail

Standard Features Include:

1. **Curb Mount** (specify by adding **CM** to model description)
2. **Double Dome** (specify by adding **2** to model description.)
3. **Bronze Anodize Cap Frame** (specify by adding **BC** to model description)
4. **Six Acrylic Color Choices**
High White Translucent (specify by adding **WTH** to model description)
Medium White Translucent (specify by adding **WTM** to model description)
Low White Translucent (Specify by adding **WTL** to model description.)
Bronze (specify by adding **BT** to model description)
Grey (specify by adding **GT** to model description)
Clear Colorless (specify by adding **CC** to model description)
5. **5' Operating Pole** (*for openable units*)

Options

1. **Triple Dome** (specify by adding **3** to model description)
2. **32" Extension** for the 5' Operating Pole (specify by adding **H-32** to model description)
3. **Low profile Dome**-available in WTM, BT or CC **only** (specify by adding **LP** to mode description.)
4. **Pyramid Shaped Dome**-(*selected sizes*) (Specify by adding **P** to model description)

Specifications: Skylight dome shall be model No. _____ as manufactured by Bristolite Skylights, Santa Ana, Calif. Skylights shall be fully factory assembled consisting of a cast acrylic double dome with a CC-2 Classification. The dome is sealed by interior and exterior gasketing to an operable frame fabricated from extruded PVC. The retaining cap shall be fabricated of bronze anodize aluminum and the retaining cap fasteners are to be corrosive resistant. The operable frame is attached to the base frame with a pivot hinge. The skylight is lifted by a lifting mechanism with a removable 5' handle. The base frame shall be extruded PVC to prevent thermal losses through the frame and the formation of condensation on its interior surface. All operable units have insect screens and full perimeter gasketing around the PVC base. The skylight shall be installed on a 1-1/2" wide curb furnished by others. All units are to be guaranteed against defective workmanship and materials.

Model Description

ALV-SD	Openable thermally broken Alumi-lite with PVC Base
CM	Curb-Mounted
2	Double Dome (Specify Acrylic Color)

Available Sizes Openable Units

Model Number	Curb Opening Inside Dimension
2222-ALV-SD	22 1/4" x 22 1/4"
2230-ALV-SD	22 1/4" x 30 1/4"
3030-ALV-SD	30 1/4" x 30 1/4"
1446-ALV-SD	14 1/4" x 46 1/4"
2246-ALV-SD	22 1/4" x 46 1/4"
3046-ALV-SD	30 1/4" x 46 1/4"
4646-ALV-SD	46 1/4" x 46 1/2"
2272-ALV-SD	22 1/4" x 72"

The curb-mount models are available for use on any type of roof and are designed especially for a steep pitch roof and roofs covered with tile, wood shakes or similarly thick roofing material.

Self Flashing is not available in these models.