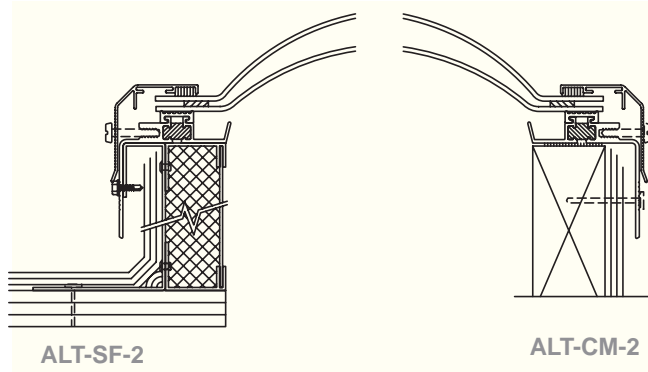


# Bristolite's Industrial Skylights

## Aluminum Framed Thermally Broken Skylight Model ALT

Bristolite's Alumi-lite Thermally broken skylight has an aluminum frame with a thermal break design to prevent the transfer of heat and cold into the room. The ALT is available in curb-mount, self-flashing, or with an insulated base and wood Nailer (*shown on this page*). For additional information on our thermally broken and insulated frame skylights please see back page.



Typical Self-Flashing and Curb Mount Detail

**Specifications:** Skylight shall be model No. \_\_\_\_\_ as manufactured by Bristolite Skylights, Santa Ana, Calif. Skylights shall be fully factory assembled consisting of a cast acrylic double dome with a CC-2 classification. The dome is sealed by interior and exterior gasketing to a heliarc welded aluminum frame fabricated of 6063-T5 aluminum and polyurethane thermal break material to prevent thermal losses through the frame and the formation of condensation on its interior surfaces. The frame is to have an integral condensation channel to carry moisture to the exterior, an aluminum retainer cap and retainer cap fasteners that are to be corrosive resistant. The skylight shall be installed either on a 1-1/2" wide curb furnished by others or on its own 4", 9", or 12" high insulated double wall self-flashing curb fabricated from aluminum with a 2-3/4" roof flange with one inch of insulation in a PVC frame and an aluminum liner on the interior of the self flashing frame. All units are to be guaranteed against defective workmanship and materials.

### Standard Features Include:

1. **Curb Mount** (specify by adding **CM** to model description)
2. **Self-Flashing 4" frame** (specify by adding **SF** to model description)
3. **Double Dome** (specify by adding **2** to model description)
4. **Six Acrylic Color Choices**  
**High White Translucent** (specify by adding **WTH** to model description)  
**Medium White Translucent** (specify by adding **WTM** to model description)  
**Low White Translucent** (Specify by adding **WTL** to model description)  
**Bronze** (specify by adding **BI** to model description)  
**Grey** (specify by adding **GT** to model description)  
**Clear Colorless** (specify by adding **CC** to model description)

### Options

1. **Bronze Anodize Frame** (specify by adding **BA** to model description.)
2. **Self-Flashing 9" frame** (specify by adding **9"** to model description)
3. **Self-Flashing 12" frame** (specify by adding **12"** to model description)

### Model Description

ALT	Aluminum Frame Thermally Broken Fixed Skylight
SF	4" Self-Flashing Frame
CM	Curb-Mounted
2	Double Dome (Specify Acrylic Color)
MF	Mill Finish Frame

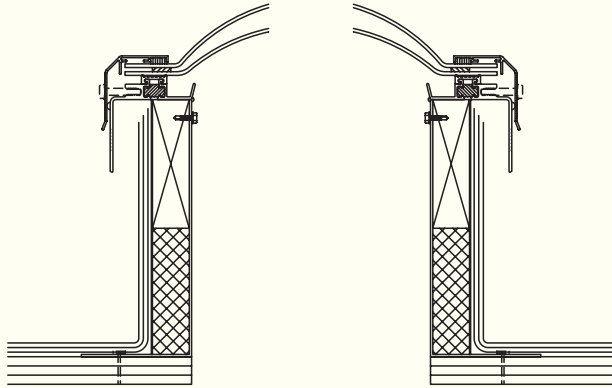
### Available Sizes

Model Number	Inside Curb Opening	Model Number	Inside Curb Opening
Square		Rectangle	
1414-ALT	14 1/4" x 14 1/4"	1422-ALT	14 1/4" x 22 1/4"
1919-ALT	19" x 19"	1446-ALT	14 1/4" x 46 1/4"
2222-ALT	22 1/4" x 22 1/4"	2230-ALT	22 1/4" x 30 1/4"
3030-ALT	30 1/4" x 30 1/4"	2237-ALT	22 1/4" x 37"
3737-ALT	37" x 37"	2246-ALT	22 1/4" x 46 1/4"
4242-ALT	42" x 42"	2272-ALT	22 1/4" x 72"
4646-ALT	46 1/4" x 46 1/4"	2296-ALT	22 1/4" x 96"
4848-ALT	48" x 48"	3037-ALT	30 1/4" x 37"
*5555-ALT	55" x 55"	3046-ALT	30 1/4" x 46 1/4"
*7070-ALT	70 1/4" x 70 1/4"	3069-ALT	30 1/4" x 69 1/2"
		3096-ALT	30 1/4" x 96"
		3496-ALT	34" x 96"
		3746-ALT	37" x 46 1/4"
		3775-ALT	37" x 75"
		3859-ALT	38" x 59"
		4669-ALT	46 1/4" x 69 1/2"
		4689-ALT	46 1/4" x 89 1/2"
		4896-ALT	48" x 96"
		*5460-ALT	54" x 60"

\*Sizes are *only* available in the following acrylic colors: WTM, CC or BT

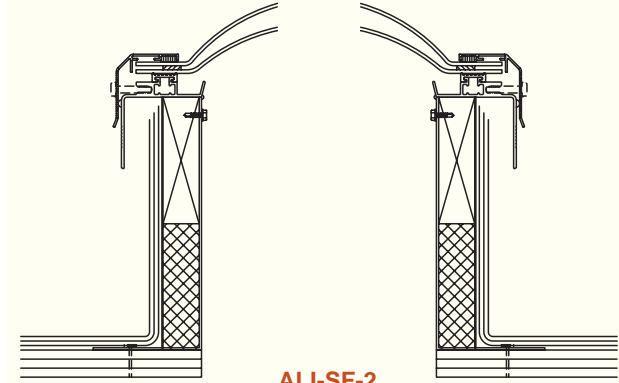
# Bristolite's Industrial Skylights

## Aluminum Framed Thermally Broken Skylight With Wood Nailer Model ALIT



ALIT-SF-2

## Aluminum Framed Insulated Frame Skylight With Wood Nailer Model ALI



ALI-SF-2

### Typical Self-Flashing Details

**Specifications:** Skylight shall be model \_\_\_\_\_ as manufactured by Bristolite Skylights, Santa Ana, Calif. Skylights shall be fully factory assembled consisting of a cast acrylic double dome with a CC-2 Classification. The dome is sealed by interior and exterior gasketing to a heliarc welded aluminum frame fabricated of 6063-T5 aluminum and polyurethane thermal break material to prevent thermal losses through the frame and the formation of condensation on its interior surfaces. There is an aluminum retainer cap and retainer cap fasteners that are to be corrosive resistant. The skylight shall be installed on its own 9" or 12" high self-flashing frame fabricated from 6063-T5 aluminum with a 3" nailing flange, one inch insulation, and a 1" wood nailer outside the frame. All units are to be guaranteed against defective workmanship and materials.

**Specifications:** Skylight shall be model No. \_\_\_\_\_ as manufactured by Bristolite Skylights, Santa Ana, Calif. Skylights shall be fully factory assembled consisting of a cast acrylic double dome with a CC-2 Classification. The dome is sealed by interior and exterior gasketing to a heliarc welded aluminum frame fabricated of 6063-T5 aluminum. The frame is to have an integral condensation channel to carry moisture to the exterior, an aluminum retainer cap and retainer cap fasteners that are to be corrosive resistant. The skylight shall be installed on its own 9" or 12" high self-flashing curb fabricated from aluminum with a 3" nailing flange, one inch insulation, and a 1" wood nailer on the exterior of the frame. All units are to be guaranteed against defective workmanship and materials.

#### Model Description

ALIT	Aluminum Frame Thermally Broken Fixed Skylight Wood Nailer
SF	4" Self-Flashing Frame
2	Double Dome (Specify Acrylic Color)
MF	Mill Finish Frame

#### Model Description

ALI	Aluminum Frame Thermally Broken Fixed Skylight Wood Nailer
SF	4" Self-Flashing Frame
2	Double Dome (Specify Acrylic Color)
MF	Mill Finish Frame

For Standard Features, Options and Sizes please see front page.

Model ALI is also available in additional sizes not shown on the front page . Please contact Bristolite's Sales Office for more information.