

CONTRACTOR TO VERIFY:

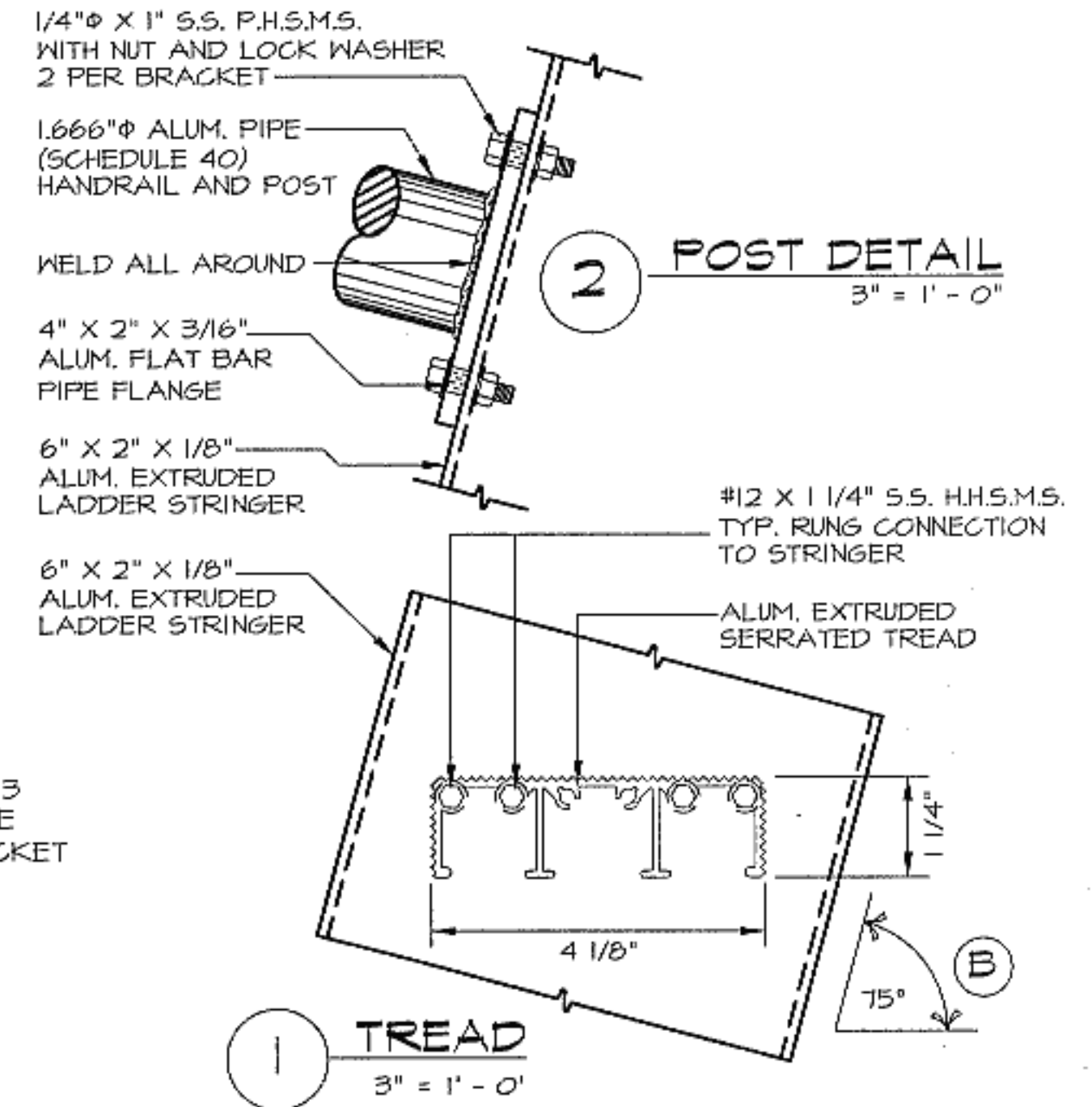
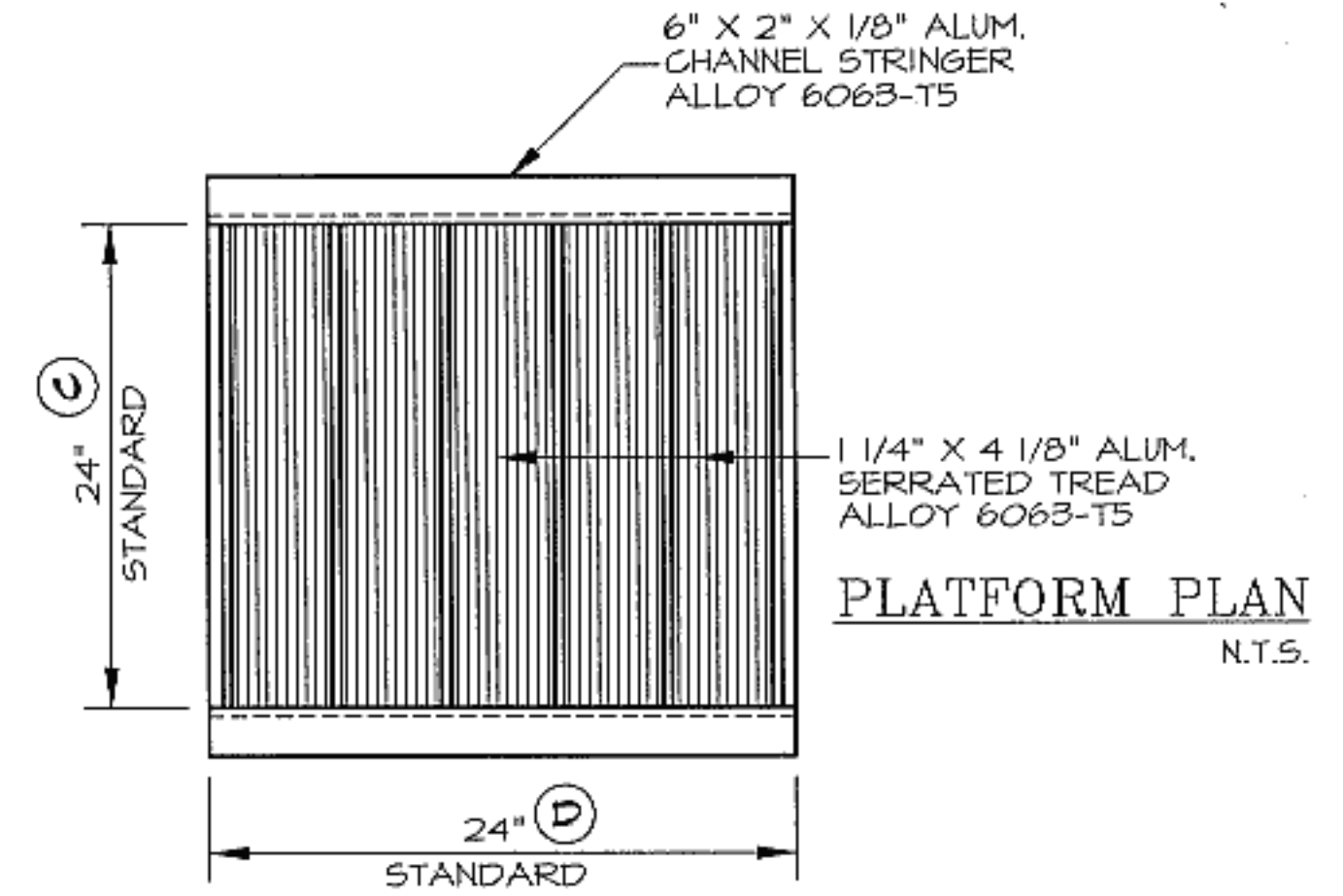
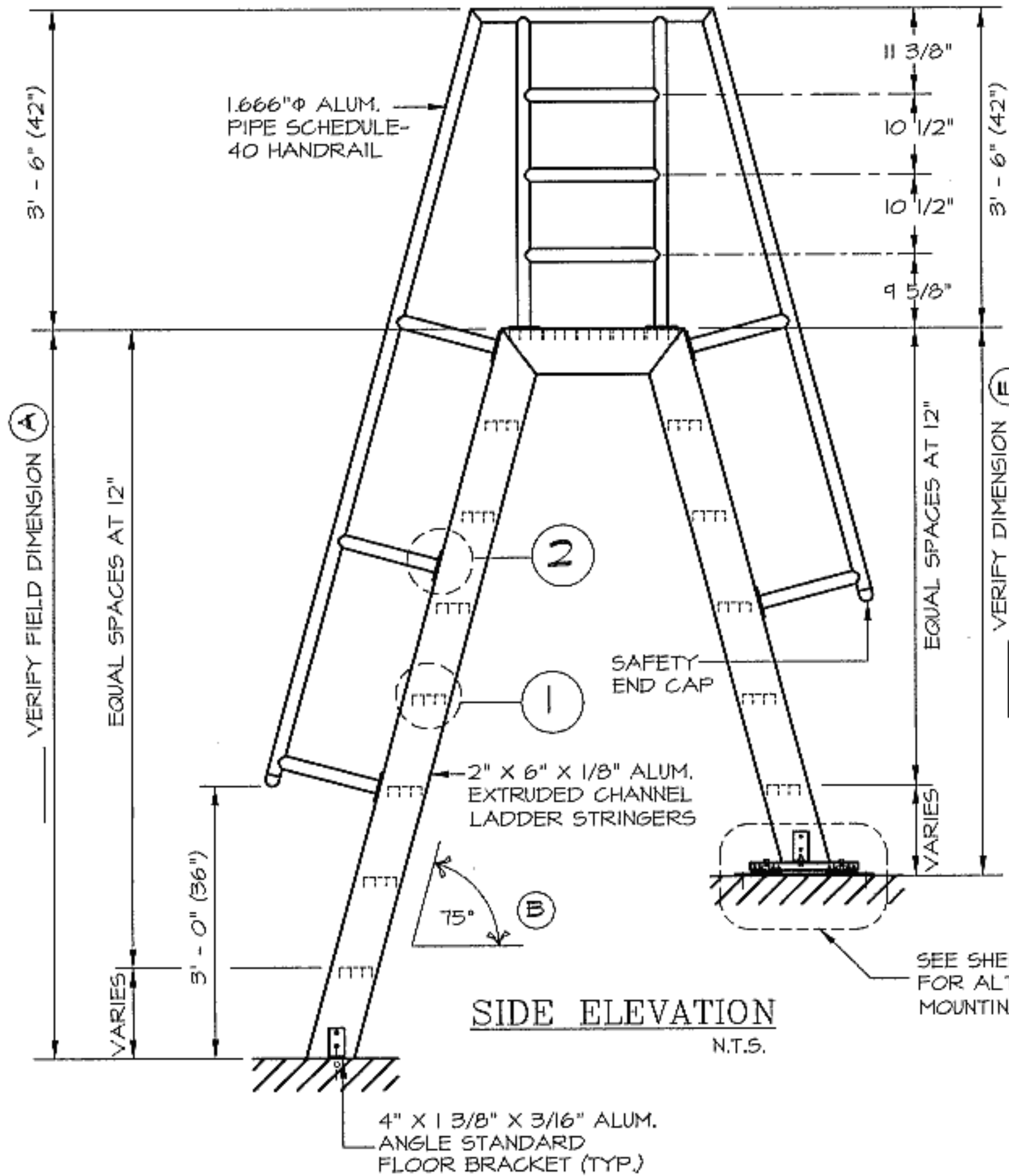
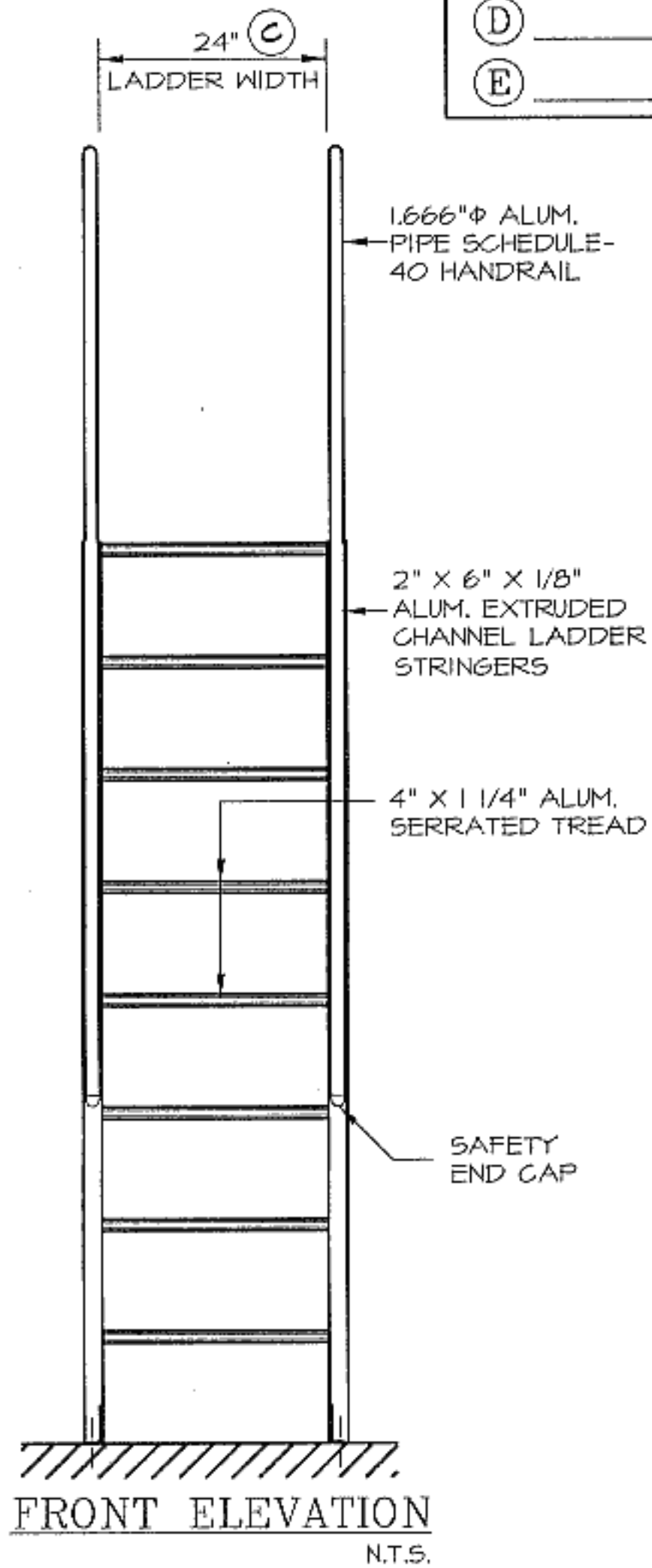
- (A) _____ LADDER HEIGHT
- (B) _____ LADDER ANGLE
- (C) _____ LADDER WIDTH
- (D) _____ PLATFORM DIMENSION
- (E) _____ LADDER RETURN HEIGHT

NOTE:

- * ALL BOLTS/FASTENERS NECESSARY TO ANCHOR LADDER BY OTHERS
- * PIPE HANDRAIL TO BE FIELD ASSEMBLED

APPROVED BY: _____

DATE: _____



_____ QUANTITY

- SEISMIC MOUNTING BRACKET
- MILL FINISH
- POWDER COATING

ALUMINUM SHIPS LADDER WITH PLATFORM & RETURN (MODEL 522)

FILE: LAD522

O'KEEFFE'S, INC.

325 NEWHALL STREET
SAN FRANCISCO, CA 94124
TEL.: (415) 822-4222
FAX: (415) 822-5222

DRAWN :

JOB NO.

DATE :

SHEET :

1 OF 3