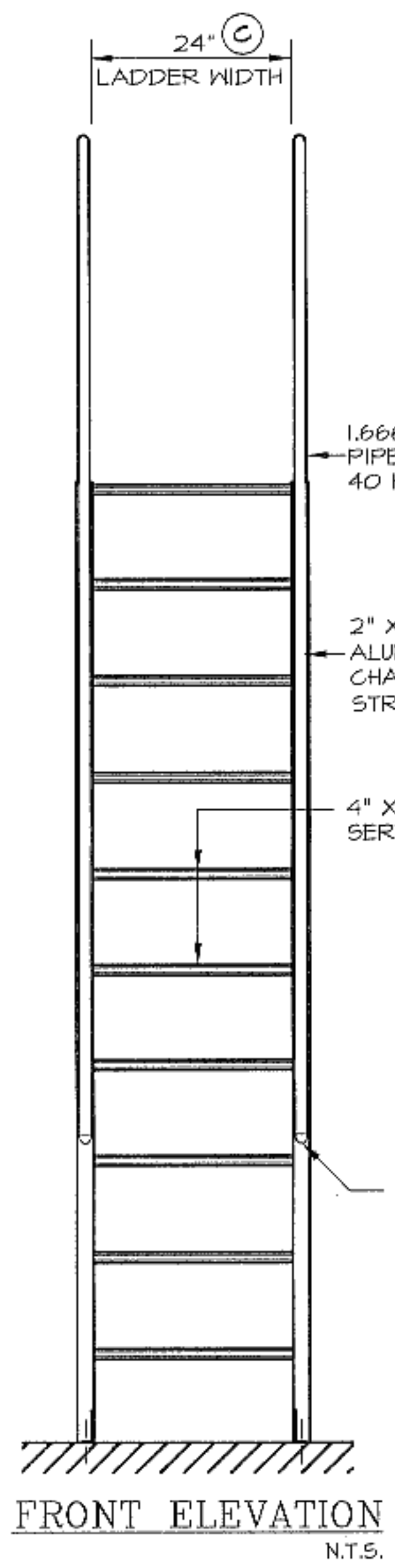


CONTRACTOR TO VERIFY:

- (A) _____ LADDER HEIGHT
- (B) _____ LADDER ANGLE
- (C) _____ LADDER WIDTH
- (D) _____ PLATFORM DIMENSION

APPROVED BY: _____
 DATE: _____

NOTE:
 * ALL BOLTS/FASTENERS NECESSARY TO ANCHOR LADDER BY OTHERS
 * PIPE HANDRAIL TO BE FIELD ASSEMBLED

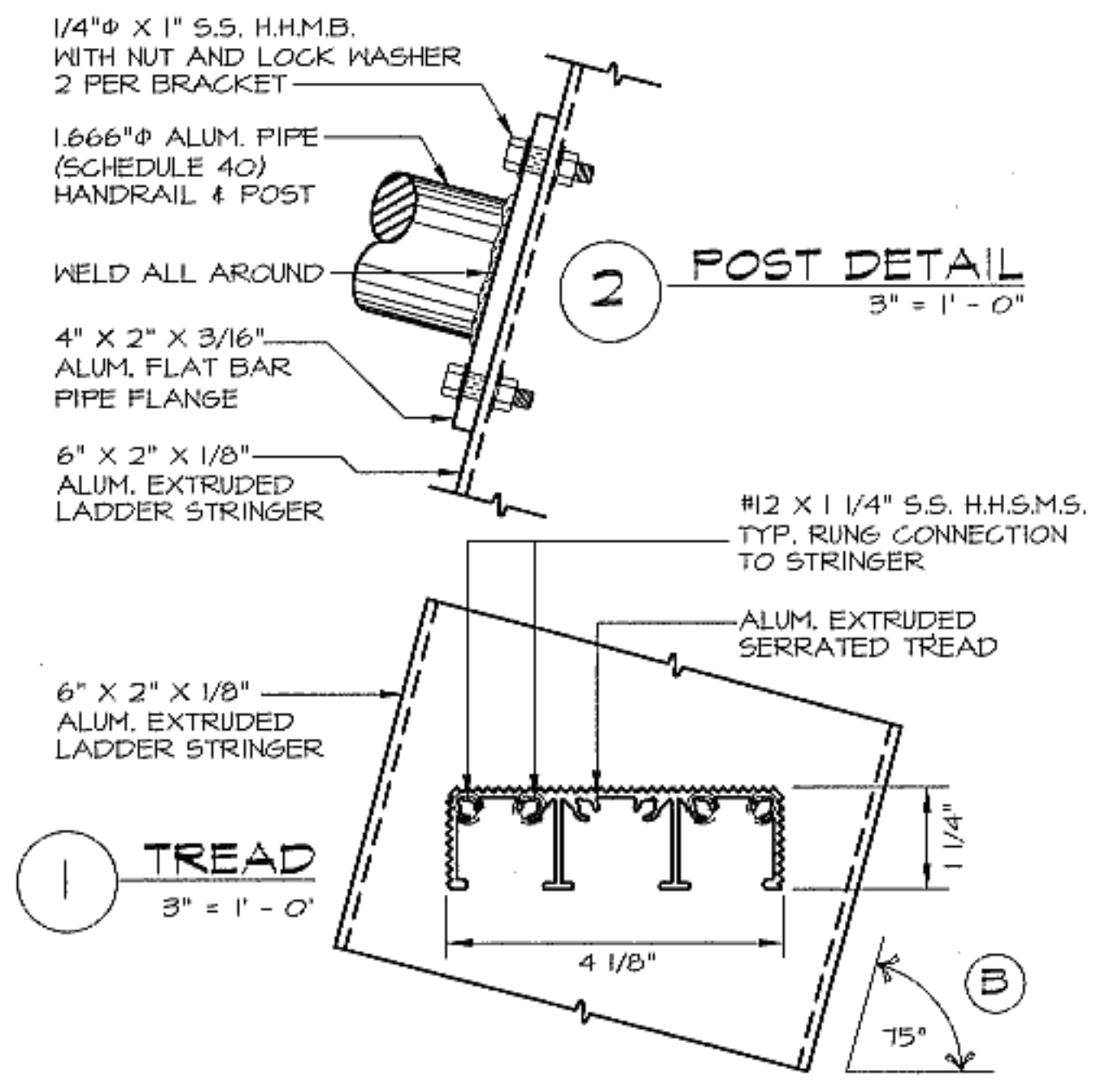
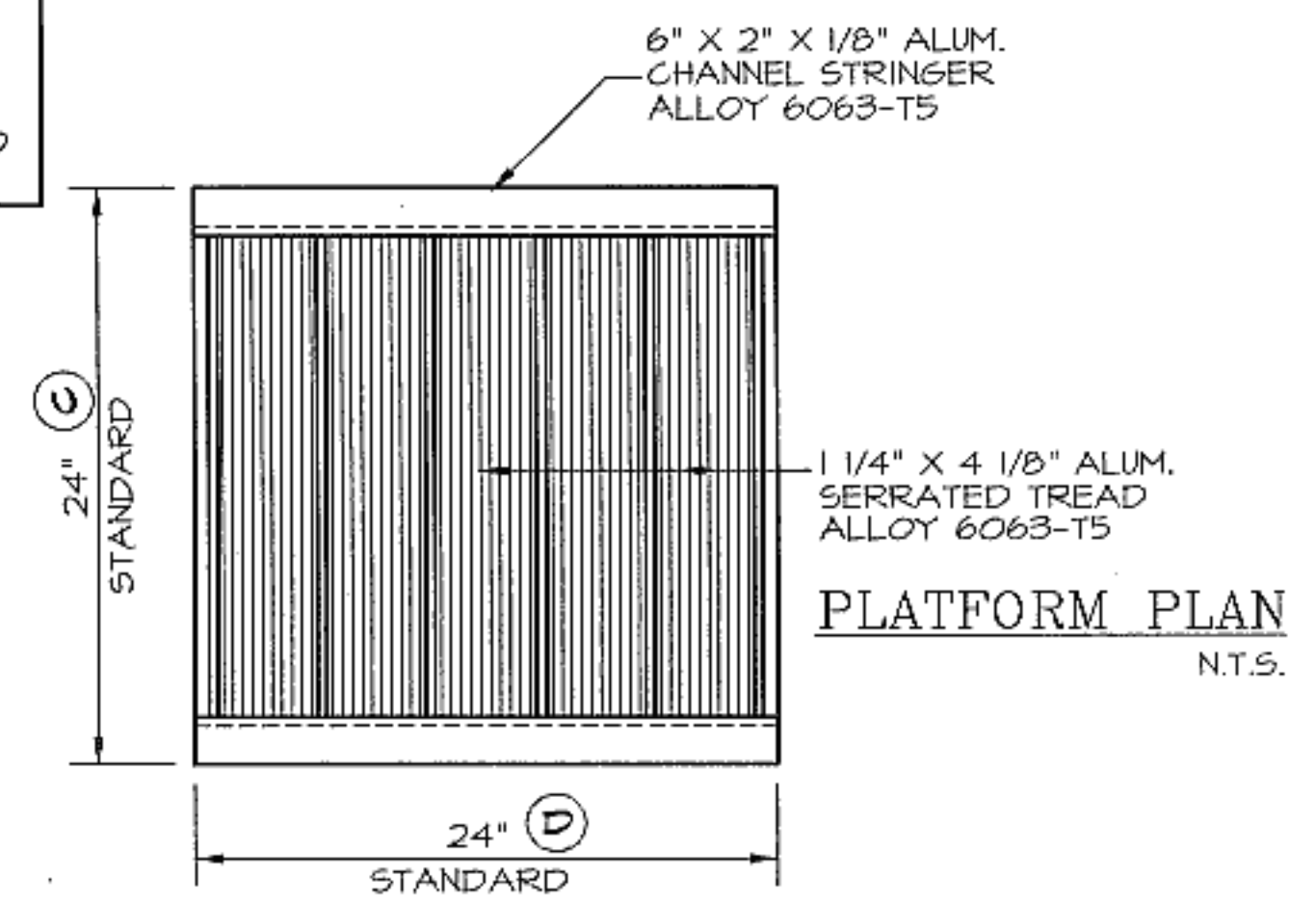
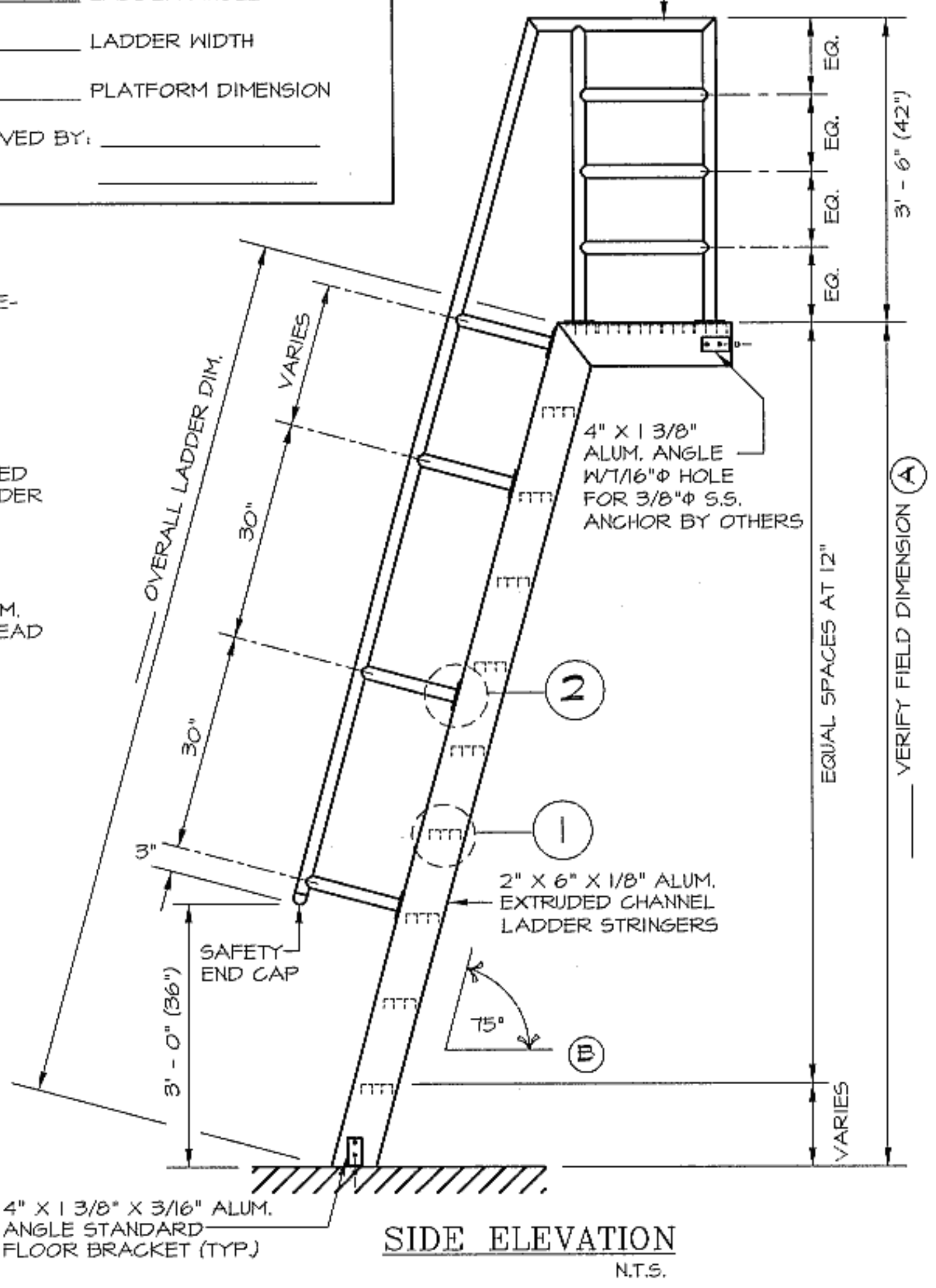


1.666"Ø ALUM. PIPE SCHEDULE-40 HANDRAIL

2" X 6" X 1/8" ALUM. EXTRUDED CHANNEL LADDER STRINGERS

4" X 1 1/4" ALUM. SERRATED TREAD

4" X 1 3/8" X 3/16" ALUM. ANGLE STANDARD FLOOR BRACKET (TYP.)



_____ QUANTITY

MILL FINISH

POWDER COATING

ALUMINUM SHIPS LADDER WITH PLATFORM (MODEL 521)

FILE: LAD521

O'KEEFFE'S, INC.

325 NEWHALL STREET
 SAN FRANCISCO, CA 94124
 TEL.: (415) 822-4222
 FAX: (415) 822-5222

DRAWN : _____

DATE : _____

JOB NO. _____

SHEET : _____

OF _____