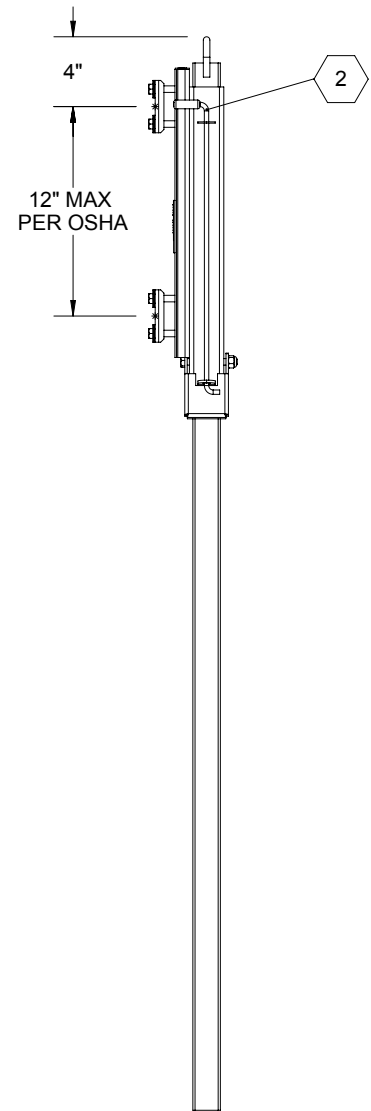
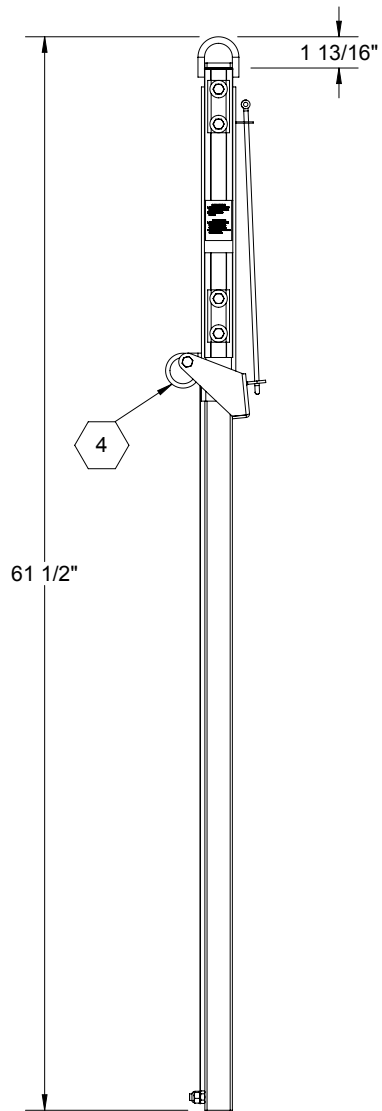


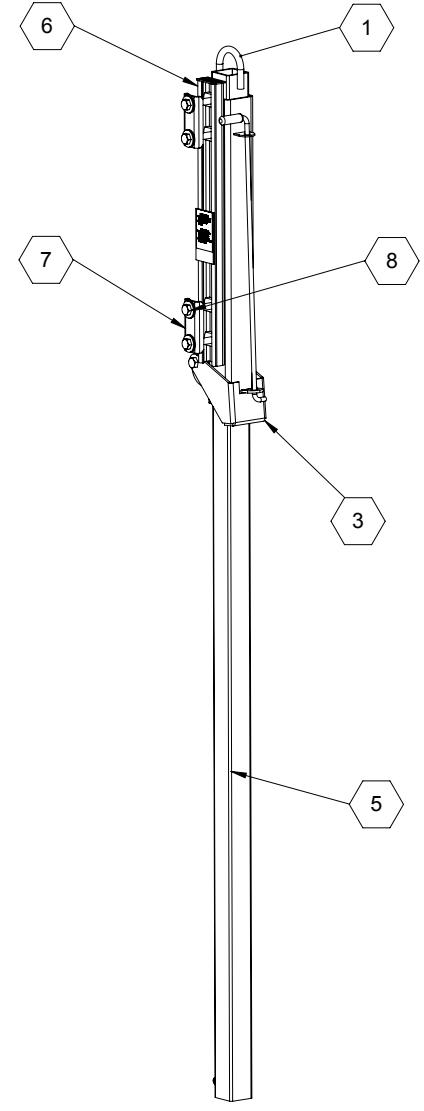
B

A



B

A



SPECIFICATIONS

- ① LIFTING HANDLE
- ② RELEASE ROD
- ③ EXTENSION LOCK BRACKET
- ④ BALANCING SPRING
- ⑤ SQUARE TUBING (1 1/2" x 1 1/2")
- ⑥ ADJUSTABLE MOUNTING CHANNEL FITS LADDER RUNG SPACING 10"-12"
- ⑦ CLAMP BRACKET
- ⑧ STAINLESS STEEL MOUNTING HARDWARE

CERTIFICATIONS:

COMPLIES WITH OSHA 1910.27 REQUIREMENT FOR FIXED LADDERS

DESIGN LOAD OF 200 POUNDS

PART #	DESCRIPTION
BSPY	STEEL, YELLOW POWDER COAT PAINT
BSPG	STEEL, HOT DIPPED GALVANIZED
BSPA	ALUMINUM, MILL FINISH
BSPS	304 STAINLESS STEEL, MILL FINISH

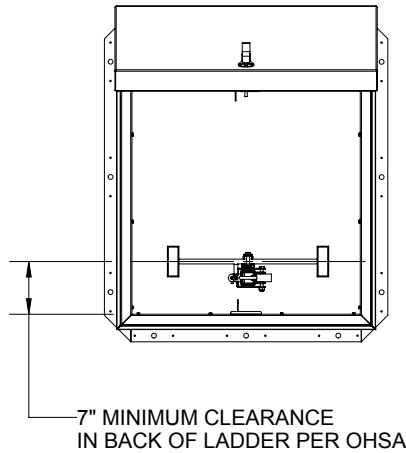
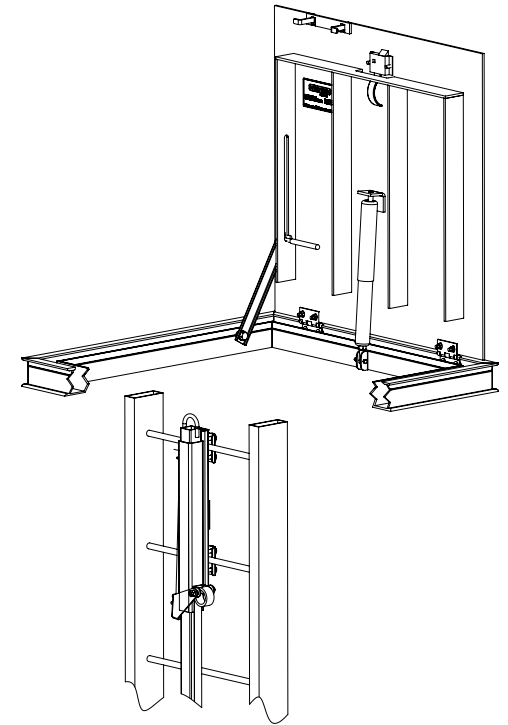
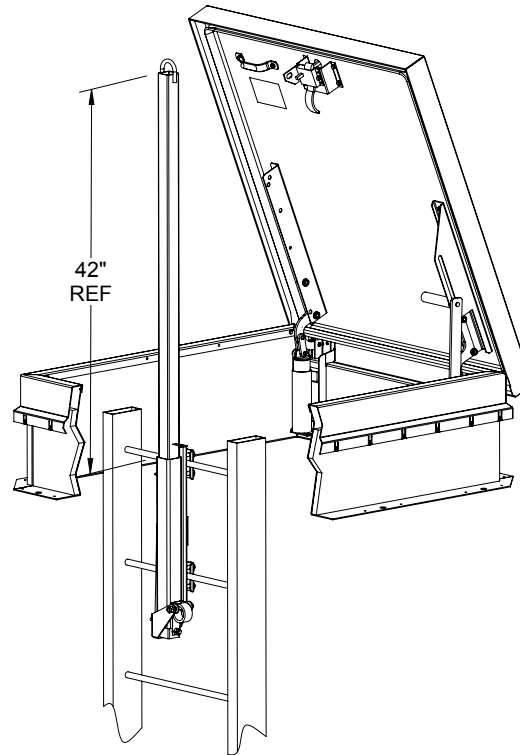
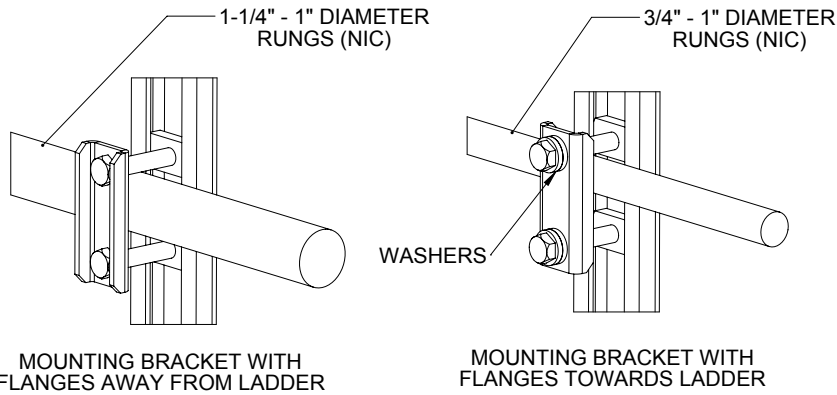
PROPRIETARY AND CONFIDENTIAL: THE INFORMATION CONTAINED IN THIS DRAWING IS THE SOLE PROPERTY OF BABCOCK-DAVIS. ANY REPRODUCTION IN PART OR AS A WHOLE WITHOUT THE WRITTEN PERMISSION OF BABCOCK-DAVIS IS PROHIBITED.

PROJECT:			
ARCHITECT:			
CONTRACTOR:			
QTY:			
PART#:			
		TITLE: Safety Post, Ladder Access	
NAME	DATE	SIZE	DWG. NO.
DRAWN DKL	05/10/11	A	BSP_CAD
RELEASED KO	05/10/11		
			REV D
			SHEET 1 OF 2

CLAMP BRACKET DETAILS

ROOF HATCH APPLICATION SAFETY POST EXTENDED

FLOOR DOOR APPLICATION SAFETY POST RETRACTED



NOTES:

1. CLAMP BRACKETS MAY BE REVERSED TO ACCOMMODATE RUNG SIZES OF 3/4" TO 1-1/4" WITH STANDARD 2" BOLTS FURNISHED. LARGER RUNGS WILL REQUIRE LONGER BOLTS.
2. REINFORCE HOLLOW RUNG LADDERS WITH A SOLID ROUND BAR INTO THE TOP TWO RUNGS TO PROVIDE STRENGTH BEFORE MOUNTING SAFETY POST
3. MOUNT THE SAFETY POST TO THE REAR OF THE LADDER, WITH THE CLAMP BRACKETS ON THE CLIMBING SIDE
4. RAISE SAFETY POST TO FULLY EXTENDED POSITION THE EXTERNAL LOCK BRACKET ENGAGES TO LOCK THE SAFETY POST IN PLACE. TO LOWER THE POST, LIFT UP THE RELEASE ROD AND RETRACT THE POST.
HATCH AND LADDER NOT INCLUDED - SHOWN FOR SAFETY POST INSTALLATION PURPOSES ONLY.

PROPRIETARY AND CONFIDENTIAL: THE INFORMATION CONTAINED IN THIS DRAWING IS THE SOLE PROPERTY OF BABCOCK-DAVIS. ANY REPRODUCTION IN PART OR AS A WHOLE WITHOUT THE WRITTEN PERMISSION OF BABCOCK-DAVIS IS PROHIBITED.

<p>Babcock-Davis Always right there. 9300 73rd Avenue North Brooklyn Park, MN 55428</p>			TITLE: Safety Post, Ladder Access		
			NAME	DATE	SIZE
DRAWN	DKL	05/10/11	A	BSP_CAD	D
RELEASED	KO	05/10/11			
					SHEET 2 OF 2